



**“WE MAKE THE KITCHEN BETTER!”**

Toll Free: 855-855-0399 Email: [info@atosausa.com](mailto:info@atosausa.com)

[www.atosausa.com](http://www.atosausa.com) | [www.atosausa.com](http://www.atosausa.com)

California, Colorado, Florida, Georgia, Illinois, Massachusetts, New Jersey, Ohio, Texas, Washington

# Undercounter Refrigerators

## Standard Features

- Stainless steel exterior & interior with reinforced stainless steel top
- Environmentally friendly R290 refrigerant
- Left hand hinge model available (MGF8401GRL)
- Electronic temperature controller
- Maintains temperatures between 33°F - 45°F
- Recessed door handle(s)
- Self-closing door(s) with stay open feature
- Magnetic door gasket(s) standard for positive door seal
- Pre-installed casters
- One(1) pre-installed shelf per section

## Optional Accessories

- Extra shelves – includes 4 shelf clips per shelf  
MGF8401GR(L) shelf part #: W0402568  
MGF36RGR shelf part #: W0402713  
MGF8402GR shelf part #: W0402171  
MGF8403GR shelf part #: W0402569  
MGF8404GR shelf part #: W0402171 left/right shelf, part #: W0402570 middle shelf

For the best results of food preservation we recommend setting your refrigerator between 33 °F to 45 °F

1. Don't forget to leave the unit some room to breathe!
2. Please clean the condenser frequently to give the unit more fresh air.



2 YEAR PARTS AND LABOR WARRANTY (US ONLY)  
5 YEAR COMPRESSOR PART WARRANTY (US ONLY)

## MODELS:

MGF8401GR / MGF8401GRL / MGF36RGR  
MGF8402GR / MGF8403GR / MGF8404GR

MGF8401GR(L)



MGF36RGR



MGF8402GR



MGF8403GR



MGF8404GR



\*For confirmation and updates on the latest energy star models, please visit [energystar.gov](http://energystar.gov)\*



**"WE MAKE THE KITCHEN BETTER!"**

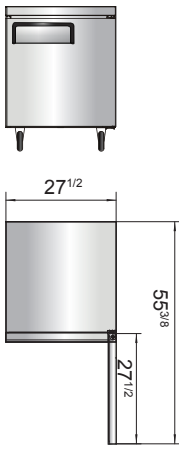
Toll Free: 855-855-0399 Email: info@atosausa.com  
 www.atosa.com | www.atosausa.com  
 California, Colorado, Florida, Georgia, Illinois,  
 Massachusetts, New Jersey, Ohio, Texas, Washington

## SPECIFICATIONS

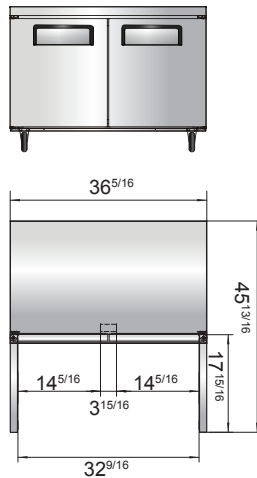
Models	Door	Capacity (Cu.Ft.)	Shelves	Casters (inch)	Amps (A)	Voltage (V/Hz/Ph)	HP	Refrigerant	Exterior Dimensions (inch)	Net Weight (lbs)	Gross Weight (lbs)
MGF8401GR(L)	1	7.2	1	2	2.3	115/60/1	1/7	R290	27 <sup>1/2</sup> ×30×34 <sup>1/5</sup>	137	172
MGF36RGR	2	8.7	2	2	2.3	115/60/1	1/7	R290	36 <sup>5/16</sup> ×30×34 <sup>1/5</sup>	162	212
MGF8402GR	2	13.4	2	2	2.3	115/60/1	1/7	R290	48 <sup>3/10</sup> ×30×34 <sup>1/5</sup>	192	231
MGF8403GR	2	17.2	2	2	2.8	115/60/1	1/5	R290	60 <sup>1/5</sup> ×30×34 <sup>1/5</sup>	218	265
MGF8404GR	3	21.1	3	2	2.8	115/60/1	1/5	R290	72 <sup>7/10</sup> ×30×34 <sup>1/5</sup>	254	315

## PLAN VIEW

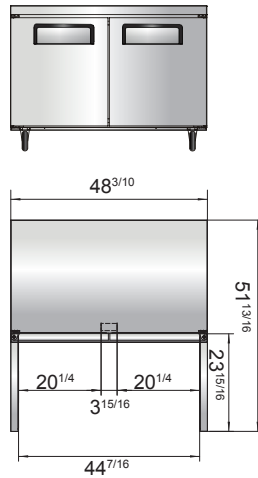
MGF8401GR(L)



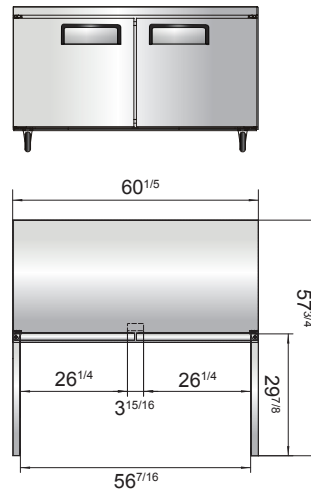
MGF36RGR



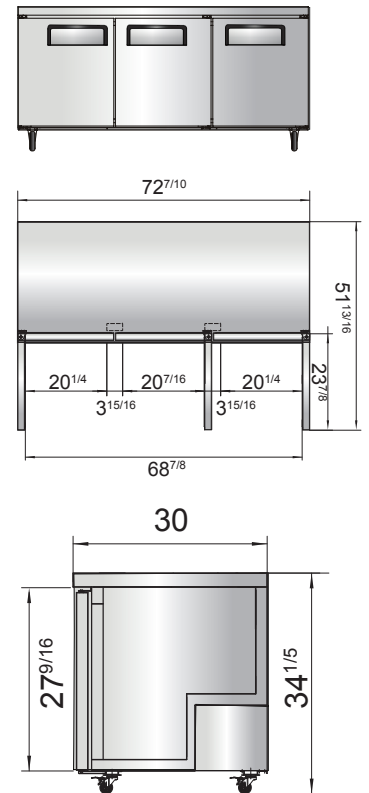
MGF8402GR



MGF8403GR



MGF8404GR



Casters



Epoxy shelves



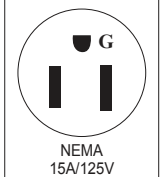
Rear grate



Temperature control



NEMA 5-15P



NEMA 15A/125V