

PRODUCT:

QUANTITY:

ITEM:

## Designed Smart

### Designed to Produce Maximum “Popping”!

- Kettle system is designed to transfer the optimal amount of heat and agitation. Produces the maximum popcorn “burst” and limits the amount of un-popped kernels.
- “Non-jamming” Agitator motor gently turns to distribute kernels evenly over heated surface.
- Motor and controls located away from heat of kettle in vented top part of cabinet.
- Kettle is made of heavy gauge aluminum for the most efficient heat transfer from thermostatically controlled ring-heater.
- Produces a kettle of popcorn every 2 1/2 minutes.
- PC-1A has a capacity of up to 170 popped one-ounce servings per hour.
- MPC-1A has a capacity of up to 130 popped one-ounce servings per hour.
- “Popped” popcorn stays hot through an efficient system of bottom heat provided by a heating element and top heat provided by a heat bulb.

### Easy to operate and Maintain

- Kettle heats quickly and has a fast recovery for unexpected surges in Popcorn demand.
- Kettle is designed to require minimal labor.
- Operator can easily access kettle through double rear doors that open wide.
- Magnetic kettle lid opens easily and closes securely, locking in the maximum “popping heat”.
- A rotating handle allows the kettle to be single-handedly disengaged for quick, safe and easy emptying.
- Popcorn oil and corn measuring cups provide for accurate, profitable “popping”.

## APW Wyott Design Features

- Cabinet is constructed of stainless steel and tempered glass for maximum durability.
- Kettle is constructed of aluminum interior pan surrounded by stainless steel and secured to cabinet through double hung stainless steel brackets.
- Light bulb illuminates popcorn merchandising system.

\*Warranty does not include rock grates, cooking grates, burners shields or fireboxes.



Model: MPC-1A Popcorn Popper

## APW Wyott Supporting Products



### Heated Butter Pump

- Available with lighted (LW-4)
- 4 quart base
- Comes with inset, hinged cover, and ladle

### Heated Butter Pump

- Available with lighted (LCCW) or regular (CCW)
- 4 quart base



## Reliability backed by APW Wyott’s Warranty

All APW Wyott Popcorn Popper Equipment is backed by a 1-year limited warranty and a 1-year on-site labor warranty.

• Certified by the following agencies:



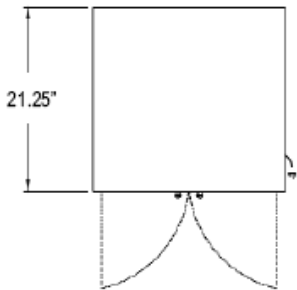
See reverse side for product specifications.

PRODUCT:

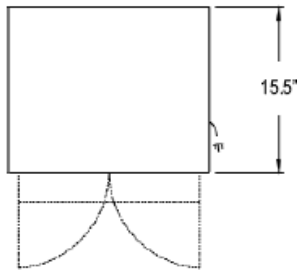
QUANTITY:

ITEM:

## PC-1A



## MPC-1A



## PRODUCT SPECIFICATION

### Construction:

Stainless steel housing, painted steel top; 3/16" tempered glass panels; Lexan® doors and hinges.

### Electrical Information:

The 120V units are equipped with at least 60", three wire grounded power cord which terminates with a standard three-pronged male plug. The MPC-1A 120v unit utilize a NEMA 5-15P plug, and the PC-1A 120V unit utilize a NEMA5-20P plug. The 240V units are provided with a 60" power cord with no plug. Plug exits from the back right corner.

### Electrical Specifications:

MPC-1A:	120V, 1125W, 9.4 Amps
	240V, 1125W, 4.7 Amps
PC-1A:	120V, 164.W, 13.7 Amps
	240V, 1643W, 6.8 Amps

### Overall Dimensions:

MPC-1A:	25 1/2"H x 19" W x 15 5/8"D (65 cm x 48 cm x 39 cm)
PC-1A:	30"H x 22 1/4"W x 21 1/4"D (76.2 cm x 56.5 cm x 54 cm)

### Capacity:

MPC-1A: Up to 130 popped 1 oz. servings per hour.  
Kettle holds up to 8 oz.

PC-1A: Can pop up to 170 1oz. Servings per hour.  
Kettle holds up to 10 oz.

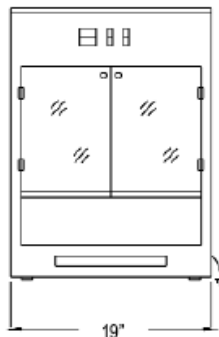
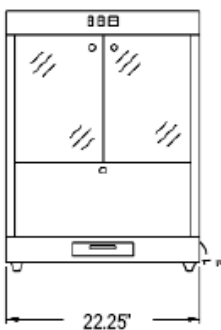
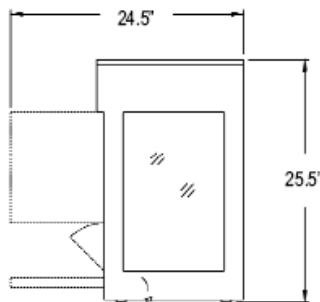
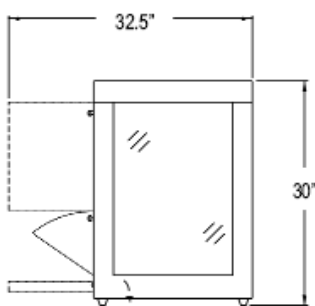
2-1/2 minute popping cycle for both models.

### Shipping Weight:

MPC-1A:	68 lbs (30.8 kg)
PC-1A:	97 lbs (44 kg)

Freight Class: 125

FOB: Cheyenne WY 82007



\*APW Wyott reserves the right to modify specifications or discontinue models without incurring obligation.