



**MIXER STANDS  
WITH AND WITHOUT  
UTENSIL TREE**

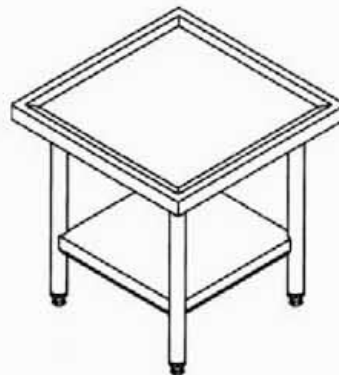
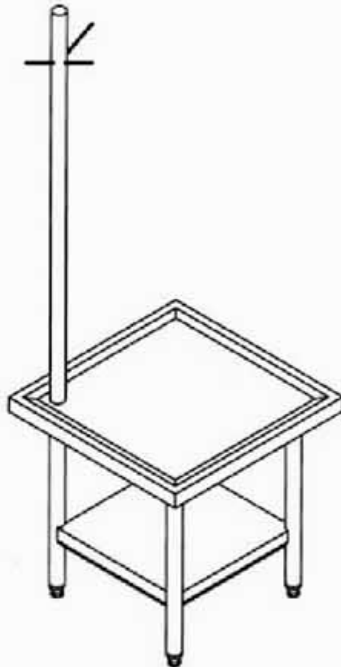
**FEATURES:**

**TOP:** 16 GAUGE 304 STAINLESS STEEL CONSTRUCTION

**BASE:** 18 GAUGE STAINLESS STEEL UNDERSHELF OR 18 GAUGE GALVANIZED UNDERSHELF

**LEGS:** 1-5/8" DIAMETER LEGS EITHER GALVANIZED OR STAINLESS STEEL WITH ADJUSTABLE FEET

**UTENSIL TREE:** 1-5/8" DIAMETER STAINLESS STEEL OR GALVANIZED TUBE WITH THREE HANGING PRONGS



**STANDARD SIZES (in.)**

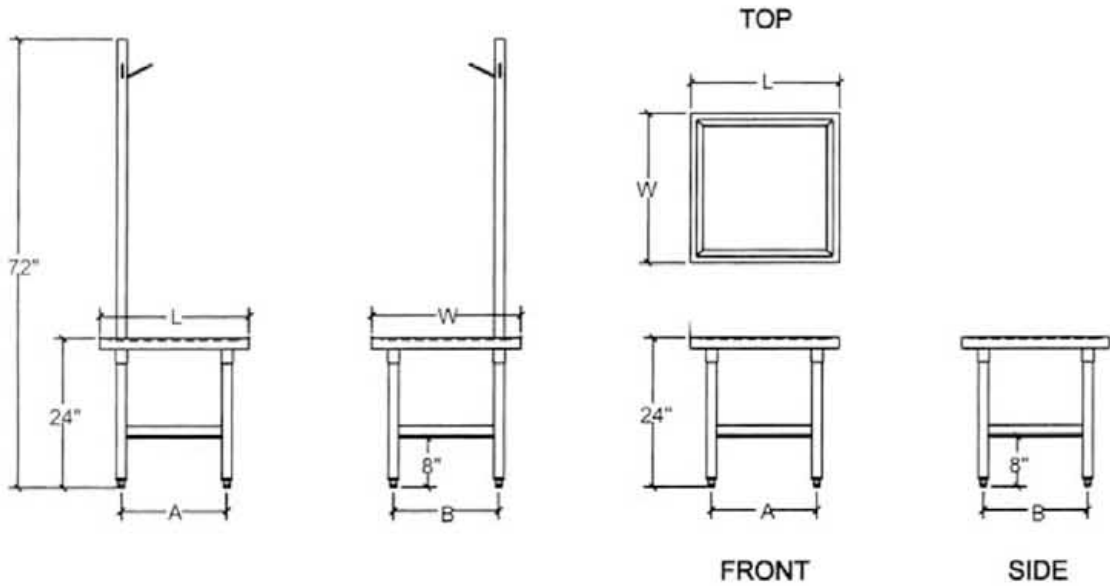
WIDTH	STS MODELS	STG MODELS	LENGTH	HEIGHT
24	MS24S24-STS	MS24S24-STG	24	24
	MS24S30-STS	MS24S30-STG	30	
	UTMS24S24-STS	UTMS24S24-STG	24	
	UTMS24S30-STS	UTMS24S30-STG	30	
30	MS30S30-STS	MS30S30-STG	30	
	MS30S36-STS	MS30S36-STG	36	
	UTMS30S30-STS	UTMS30S30-STG	30	
	UTMS30S36-STS	UTMS30S36-STG	36	

# SPECIFICATIONS

DATE: \_\_\_\_\_ MODEL NO: \_\_\_\_\_

PROJECT: \_\_\_\_\_

MIXER STANDS WITH AND WITHOUT UTENSIL TREE



DIMENSIONS (in.)

WIDTH	STS MODELS	STG MODELS	LENGTH	A	B	APPROX. WT. (lbs.)
24	MS24S24-STG	MS24S24-STG	24	17	15	45
	MS24S30-STG	MS24S30-STG	30	17	21	55
	UTMS24S24-STG	UTMS24S24-STG	24	17	15	50
	UTMS24S30-STG	UTMS24S30-STG	30	17	21	60
30	MS30S30-STG	MS30S30-STG	30	20	21	45
	MS30S36-STG	MS30S36-STG	36	20	27	55
	UTMS30S30-STG	UTMS30S30-STG	30	20	21	50
	UTMS30S36-STG	UTMS30S36-STG	36	20	27	60

(Specifications Subject To Change)



North 421 Freya, Spokane, WA 99202 509-533-0608 / 800-726-0553 Fax: 509-535-1493 Website: <http://www.sspinc.net> E-mail: [ssp@sspinc.net](mailto:ssp@sspinc.net)