



MSC-41A



Standard features include baskets, basket dividers, external thermometer and lock.

MB MASTER-BILT®

COLDIN-3™ SERIES

MSC-A SERIES

Curved Lid Display Freezers

MODELS

- MSC-31A
- MSC-41A
- MSC-49A
- MSC-66A

FEATURES

CONSTRUCTION

- Standard interior LED lighting with separate on/off switch
- Curved tempered glass sliding lids
- White zinc-coated baked-on enamel steel exterior
- Painted white powder-coated steel interior
- Removable rubber bumper guards on grille side
- Heavy-duty casters, two locking
- Bottom drain with plug

- Lid lock and keys
- The unobtrusive frame around the glass lids ensures a highly visible display
- External analog thermometer display
- Control panel with adjustable temperature range of +10 to -18°F
- Low energy consumption

REFRIGERATION

- Refrigerant:
 - All models except MSC-66A R-134a
 - MSC-66A R-404A
- Temperature range:
 - 18° to 10°F (-27° to -12°C)

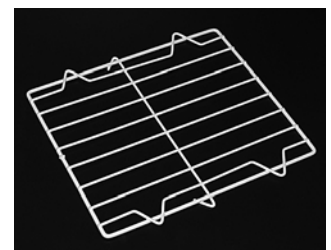
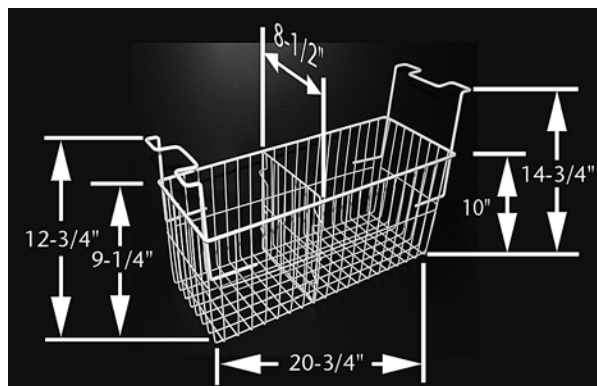
WARRANTY

- Standard limited four year extended compressor and one year limited parts and labor

STANDARD BASKETS

MSC-A merchandisers are supplied with equally-sized angled baskets and one adjustable horizontal divider per basket.

MODEL	NO. OF BASKETS/DIVIDERS
MSC-31A	3/3
MSC-41A	4/4
MSC-49A	5/5
MSC-66A	7/7



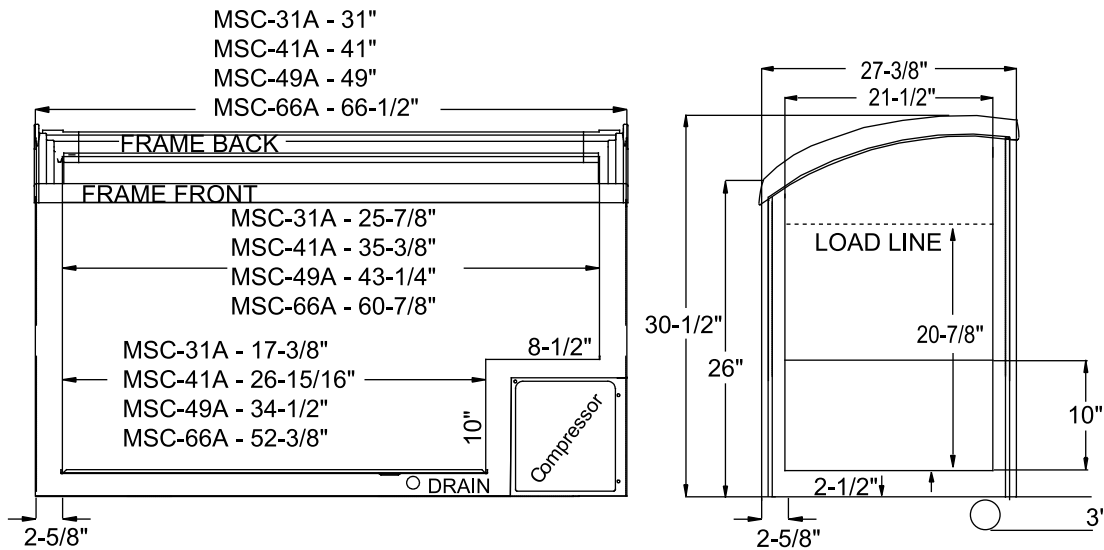
Horizontal divider



COLDIN-3™ MSC-A SERIES CURVED LID DISPLAY FREEZERS

TECHNICAL SPECIFICATIONS

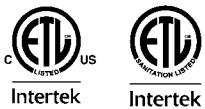
MODEL	DIMENSIONS (in.)			DIMENSIONS (mm)			VOLTS	AMPS	UNIT H.P.	GROSS CU. FT.	NET CU. FT.	SHIP CU. FT.	SHIP WT. LB/KG
	L	D	H	L	D	H							
MSC-31A	31	27 ³ / ₈	33 ¹ / ₂	787	695	851	115	2.3	1/3	8.3	6.0	20.7	155/70
MSC-41A	41	27 ³ / ₈	33 ¹ / ₂	1041	695	851	115	1.9	3/8	11.5	8.5	26.7	188/85
MSC-49A	49	27 ³ / ₈	33 ¹ / ₂	1245	695	851	115	1.9	3/8	14.5	10.5	31.1	212/96
MSC-66A	66 ¹ / ₂	27 ³ / ₈	33 ¹ / ₂	1676	695	851	115	5.5	3/4	20.5	15.3	42.1	270/123



ELEVATION VIEW

SIDE VIEW

LISTINGS



HOOKUP

Via plug in, 6¹/₂ foot long, flexible 3 wire 14AWG/3 cord with molded plug.



BID SPECIFICATIONS

Item no. MSC-____A
 Provide _____ () Curved Lid Display Freezer(s) Master-Bilt model MSC-____A.

Freezer to be constructed of a white zinc-coated baked-on enamel on steel exterior with painted white powder-coated steel interior. Freezer to be furnished with stan-

dard LED interior lighting. Also standard with baskets, basket dividers, thermometer and lock. Additionally, it will be provided with heavy-duty casters and a defrost water drain. Lids will contain tempered safety glass.

Refrigeration system will use R-134a refrigerant in all models except MSC-66A

which will contain R404A. The temperature range will be -18° to 10°F (-27° to -12°C).

Freezer to have standard limited four year extended compressor warranty and one year limited parts and labor. Freezer to be ETL listed in the U.S. and Canada and ETL Sanitation listed.

NOTE: Cabinet designed for optimum performance in air-conditioned area at 75°F ambient and 55% relative humidity. All specifications subject to change without notice.



908 Highway 15 North • New Albany, MS 38652
 PHONE: 800-647-1284 or 662-534-9061 • FAX: 800-232-3966 or 662-534-6049 • www.master-bilt.com

