



**“WE MAKE THE KITCHEN BETTER!”**

Toll Free: 855-855-0399 Email: info@atosausa.com  
www.atosa.com | www.atosausa.com  
California, Colorado, Florida, Georgia, Illinois,  
Massachusetts, New Jersey, Ohio, Texas, Washington

**MODELS:**

**MSF8305GR / MSF3615GR  
MSF8306GR / MSF8307GR / MSF8308GR**

# Mega Top Sandwich Prep Tables

## Standard Features

- Stainless steel exterior & interior
- Rear mount compressor with environmentally friendly R290 refrigerant
- Dixell digital controller
- Maintains temperatures between 33°F - 40°F
- Pre-installed 4" deep stainless steel pans
- 10" cutting board
- Recessed door handle(s)
- Self-closing door(s) with stay open feature
- Magnetic door gasket(s) standard for positive door seal
- One(1) pre-installed shelf per section
- Pre-installed casters

## Optional Accessories

- Double overshelf for 48", 60" and 72" models



For the best results of food preservation we recommend setting your refrigerator between 33 °F to 38 °F

1. Don't forget to leave the unit some room to breathe!
2. Please clean the condenser frequently to give the unit more fresh air.

**MSF8305GR**



**MSF3615GR**



**MSF8306GR**



**MSF8307GR**



**MSF8308GR**



2 YEAR PARTS AND LABOR WARRANTY (US ONLY)  
5 YEAR COMPRESSOR PART WARRANTY (US ONLY)





**"WE MAKE THE KITCHEN BETTER!"**

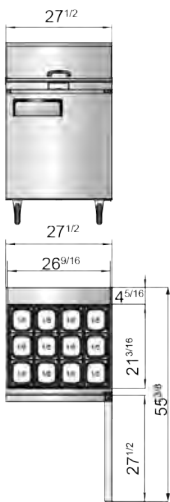
Toll Free: 855-855-0399 Email: info@atosausa.com  
 www.atosa.com | www.atosausa.com  
 California, Colorado, Florida, Georgia, Illinois,  
 Massachusetts, New Jersey, Ohio, Texas, Washington

## SPECIFICATIONS

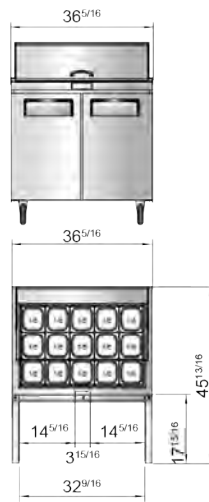
Models	Door	Capacity (Cu.Ft.)	Shelves	Casters (inch)	Amps (A)	Voltage (V/Hz/Ph)	HP	Refrigerant	Exterior Dimensions (inch)	Net Weight (lbs)	Gross Weight (lbs)
MSF8305GR	1	7.2	1	5	2.3	115/60/1	1/7	R290	27 <sup>1/2</sup> ×34×47 <sup>1/10</sup>	170	212
MSF3615GR	2	8.7	2	5	2.3	115/60/1	1/7	R290	36 <sup>5/16</sup> ×34×47 <sup>1/10</sup>	174	240
MSF8306GR	2	13.4	2	5	2.3	115/60/1	1/7	R290	48 <sup>1/5</sup> ×34×47 <sup>1/10</sup>	243	293
MSF8307GR	2	17.2	2	5	2.8	115/60/1	1/5	R290	60 <sup>1/5</sup> ×34×47 <sup>1/10</sup>	284	340
MSF8308GR	3	21.1	3	5	2.8	115/60/1	1/5	R290	72 <sup>7/10</sup> ×34×47 <sup>1/10</sup>	331	401

## PLAN VIEW

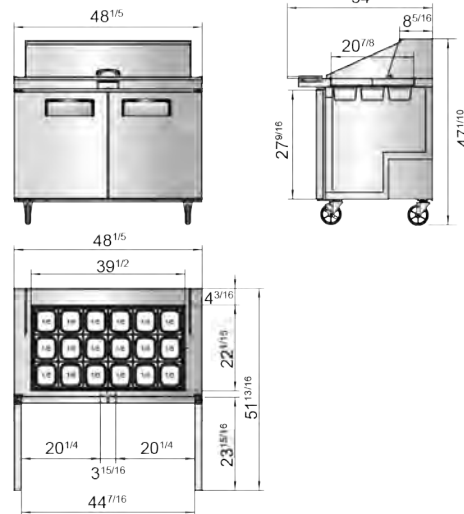
**MSF8305GR**



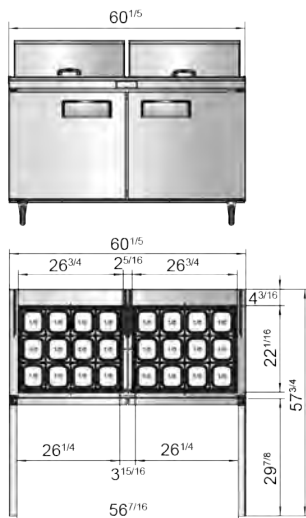
**MSF3615GR**



**MSF8306GR**



**MSF8307GR**



**MSF8308GR**

