



# BEVERAGE-AIR

|                 |      |
|-----------------|------|
| Project: _____  | AIA# |
| Item: _____     | SIS# |
| Location: _____ |      |
| Approved: _____ |      |

**MT10™ MERCHANDISER: HINGED DOOR MODEL**

## MARKETEER™ MERCHANDISERS

MT10 White Hinged Door Model  
Hydrocarbon Series

MODEL:  
MT10-1W



**3 Year Parts / Labor Warranty**  
**Additional 4 Year Compressor Warranty**

### CABINET CONSTRUCTION

- Standard cabinet exterior finish is heavy duty steel with a white baked on durable coating
- Heavy duty interior construction includes white coated steel
- Mechanical temperature control
- Modern one piece grille
- Double pane lowE argon filled glass door feature outside pane that is tempered for added safety
- Door lock standard
- Self-closing hinged glass door features, pocket door handle
- LED lighting
- Three (3) epoxy coated shelves
- Leveling feet

### OPTIONS & ACCESSORIES

- Extra shelves and clips
- 3" Casters
- Visislide shelving kit

### REFRIGERATION SYSTEM

- Uses environmentally friendly, energy efficient R290 refrigerant, and meets all regulatory requirements for CARB, SNAP, DOE & more
- Condenser is designed to be low maintenance, and energy efficient
- Automatic, non-electric defrost
- Epoxy coated evaporator coil



  
Please verify qualifying units by visiting:  
[www.energystar.gov/cfs](http://www.energystar.gov/cfs)

3779 Champion Blvd., Winston-Salem, NC 27105  
1-888-845-9800 Fax: 1-336-245-6453  
Beverage-Air.com Sales@bevair.com



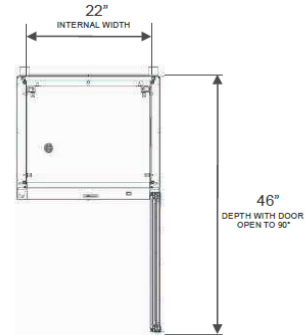
# BEVERAGE-AIR

| MODEL                            | MT10-1W        |
|----------------------------------|----------------|
| <b>EXTERNAL DIMENSIONAL DATA</b> |                |
| Width Overall                    | 24 7/8"        |
| Depth Overall                    | 22 13/16"      |
| Height Overall                   | 54 3/8"        |
| Number of Doors                  | 1              |
| Depth with Door Open 90°         | 46"            |
| Clear Door Opening (in)          | 21" X 39 7/16" |
| <b>INTERNAL DIMENSIONAL DATA</b> |                |
| NET Capacity (cubic ft.)         | 9.43           |
| Capacity 20 oz                   | 126            |
| Internal Width Overall (in)      | 22"            |
| Internal Depth Overall (in)      | 16 1/4"        |
| Internal Height Overall (in)     | 40 5/8"        |
| Internal Height Useable (in)     | 37 3/16"       |
| Number of Shelves                | 3              |
| <b>ELECTRICAL DATA</b>           |                |
| Full Load Amperes 115/60/1       | 3.2            |
| <b>REFRIGERATION DATA</b>        |                |
| Horsepower                       | 1/6            |
| Energy Consumption               | 1.740 kWh/day  |
| <b>WEIGHT DATA</b>               |                |
| Gross Weight                     | 198 lbs        |
| Height - Crated                  | 65"            |
| Width - Crated                   | 28"            |
| Depth - Crated                   | 27"            |

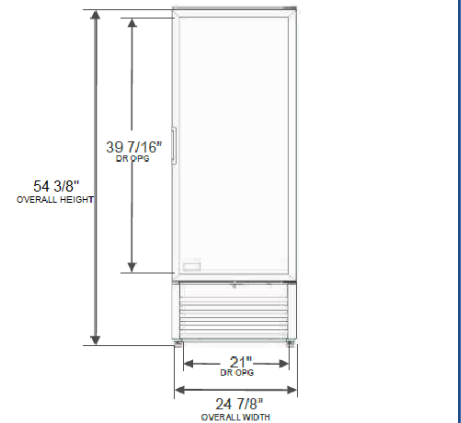
## Glass Hinged Door Model

Model: MT10-1W

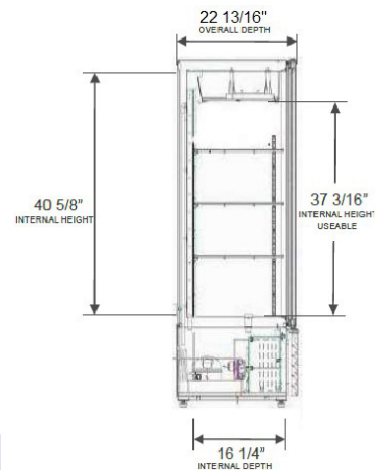
### Model Views



### PLAN VIEW



### ELEVATION VIEW



### SIDE VIEW

### ELECTRICAL CONNECTION



Unit pre-wired at factory and include 8' long cord and plug set.



3779 Champion Blvd., Winston-Salem, NC 27105 1-888-845-9800 Fax: 1-336-245-6453 Beverage-Air.com Sales@bevair.com

an Ali Group Company



The Spirit of Excellence