

# XpressChef™

Project #: \_\_\_\_\_

Item #: \_\_\_\_\_



## High Speed Combination Oven XpressChef™ 4i Series

### Superior cooking results **FAST!**

- 2000W impingement enhances browning. Easily adjustable 0-100% fan speed
- 95° - 270°C (200° - 520°F) convection temperature range
- 3000W Infra-red radiant enhances toasting, browning, and crisping
- 2000 - 2200W dual side antenna feed microwave system heats quickly reduces cooking time

### Simplifies cooking

- True-Touch™ HD Touchscreen. Fully customizable 178mm (7") smartphone-like display
- Catalytic converter built-in for ventless operation
- Large interior easily accommodates a 35cm (14") pizza

### Multi-language universal operation, with programming flexibility

- Touchscreen and programming software supports 25 languages
- Image-based menu selection eliminates language and literacy barriers
- Connectivity Standard: WiFi, Ethernet, and Smart USB standard

### Cuts Costs

- Uses less energy than a conventional oven
- Eliminates need for pre-cooking and holding
- Uses standard metal trays, pans and screens

### Safe operation and simple cleaning

- Inner door drops down below cooking surface for safe removal of food from cavity
- Porcelain IR element cover enhances operator safety and simplifies maintenance
- Infra-red element tilts-up for cleaning
- Non-stick oven liners preinstalled for easy cleaning
- Two removable, cleanable, and reusable air filters protect oven components

### Included Accessories:

- Oven paddle (PA10)
- Non-stick liners (TL10)

### Optional Accessories

- Panini grill plate (GR10)
- Panini Press (PRS10)
- Pizza Stone (ST10X)
- Square metal pan (SQ10)
- 4" (102mm) Leg kit (LG10)
- Non-stick baskets (NB10, OB10, TB10/S, SB10/S, MB10/S)
- Stainless cart/equipment stands: (CA24, CA30)
- Oven Cleaner and Shield Protectant (CL10\*, SH10\*, CL10W\*\*, PR10W\*\*)

### Service

All products are backed by the ACP, Inc.  
24/7 ComServ Support Center



### Warranty

Warranty Certificate for this product can be found on the ACP, Inc. website at [www.acpsolutions.com/warranty](http://www.acpsolutions.com/warranty)



### Safety and Sanitation

This ACP, Inc. product meets and exceeds safety and sanitation standards set for commercial microwave ovens by UL, ETL, NSF, CSA, FDA, ETL EU and CE



### XpressChef™ 4i Series | Heavy Volume This category of high speed oven is ideal for...

#### Applications

- Theatres
- Convenience Stores
- Satellite Locations
- Healthcare
- Stadiums
- Pizzerias
- Hotel Room Service
- Campus Dining
- Snack Bars

#### Through put potential (per hour)

Food item	QTY per hour
30cm (12") frozen pizza	21
15cm (6") toasted sandwiches	80+
Grilled fresh Salmon	28
0.45kg (1 lb.) fresh shrimp	55
Toasted Bagel	120
Chicken wings	24
Quesadillas	70

#### Location of Oven(s):

- Kitchen countertop, single or stacked
- Kitchen shelf
- Equipment stand

All ACP, Inc. commercial ovens are supported by our Culinary Center. Do not hesitate to contact us for any questions regarding food preparation, menu development and cooking times: [testkitchen@acpsolutions.com](mailto:testkitchen@acpsolutions.com)



#### Patents Pending

\*Only shipped in U.S.A.

\*\* Only shipped in Europe



© 2020 ACP, Inc.  
Cedar Rapids, Iowa 52404

225 49th Ave. Dr. SW Cedar Rapids, IA 52404 U.S.A.

800-233-2366

319-368-8120

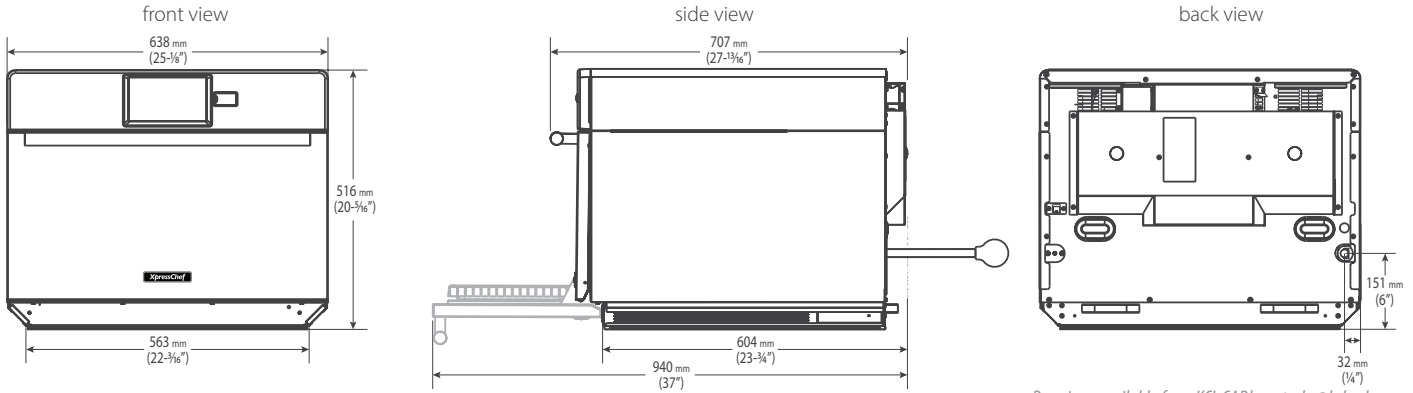
Fax: 319-368-8198

[www.acpsolutions.com](http://www.acpsolutions.com)

AIA File #:

Specification #:

# XpressChef™ 4i Series | High Speed Combination Oven



Drawings available from KCL CADlog - techs@kclcad.com

Dimensions			
<b>Exterior</b>	H 516 (20 5/16")	W 638 (25 1/8")	D† 707 (27 13/16")
<b>Cavity</b>	H 254 (10")	W 406 (16")	D 381 (15")
<b>Usable Cavity Space</b>	39 liter (1.38 cubic ft.)		
<b>Door Depth</b>	940 (37"), drop down door		
<b>Installation Clearances</b>	Top: 51 (2")	Sides: 25 (1")	Back: None
<b>Shipping Carton</b>	H 622 (24 1/2")	W 879 (34 5/8")	D 828 (32 5/8")
Weight			
<b>Product Weight</b>	68 kg (150 lbs.)		
<b>Ship weight (approx.)</b>	79 kg (175 lbs.)		

Features	
<b>Configuration</b>	Countertop
<b>Stackable</b>	Yes
<b>Display</b>	178 (7") Capacitive Touch, High resolution LCD display
<b>USB Port</b>	Yes
<b>Connectivity</b>	Wifi and Ethernet
<b>Program Menu</b>	Tab & Multi-level menu capability
<b>Menu Capacity</b>	1200+ items
<b>Max. Cooking Time</b>	99:99
<b>Temperature Range</b>	95° - 270°C (200° - 520°F)
<b>Microwave Distribution</b>	Double side oscillating antenna
<b>Fan Speed</b>	0-100%
<b>Power Levels</b>	11
<b>Defrost</b>	Yes, microwave only, power level 2
<b>Time Entry Option</b>	Yes
<b>Stage Cooking</b>	Yes, 4
<b>Catalytic Converter</b>	Yes†
<b>Automatic Voltage Sensor</b>	Yes (North America only)
<b>Air Filter</b>	2 removable, with clean filter reminder
<b>Rack</b>	1 rack position, removable
<b>Door Opening</b>	Pull down, ergonomic handle
<b>Exterior Finish</b>	Stainless steel & Painted Steel
<b>Interior Finish</b>	Stainless steel

ACP, Inc. requires installing a type D circuit breaker for all high-speed oven installations.

Measurements are millimeters. Measurements in ( ) are US Standard

\* IEC 60705 Tested

† Includes handle

‡ Catalytic convertor filters grease and odors from the air. This product conforms to the Ventless

Operation Recommendations set forth by NFPA96 using EPA202 test method

EMEA = Europe, the Middle East and Africa; APAC = Asia Pacific and Oceania; LATAM = Latin America

## Electrical Configuration

Region	Model#/ UPC	Power Consumption	Power Output/Cooking Power			Power Source	Plug Configuration	Cord Length	Frequency	Magnetron
			Impingement	IR-Radiant	Microwave					
North America <i>single phase</i>	<b>MXP22TLT</b> 728028377149	5700 W, 27.4 A	2000 W	3000 W	2200 W*	208-240 V, 60 Hz, 30 A, single phase	NEMA 6-30P	1.5m (5 ft.)	2450MHz	2
Brazil <i>single phase</i>	<b>MXP22BT</b> 728028422597	5700 W, 27.4 A	2000 W	3000 W	2200 W*	220V, 60 Hz, 32 A, single phase	IEC 309	2.4 m (8 ft.)	2450MHz	2
EMEA, APAC, LATAM <i>single phase</i>	<b>MXP5221TLT</b> 728028422580	5800 W, 27.4 A	2000 W	3000 W	2200 W*	230-240 V, 50 Hz, 32 A, single phase	IEC 309	2.4 m (8 ft.)	2450MHz	2
EMEA, APAC, LATAM <i>multi phase</i>	<b>MXP5223TLT</b> 728028422634	5800 W, 16 A	2000 W	3000 W	2200 W*	400 V, 50 Hz, Wye, 16 A, 3 phase, 5 wire	IEC 309	2.4 m (8 ft.)	2450MHz	2
Japan <i>single phase</i>	<b>MXP5201JT</b> 728028422603	5000 W, 27.4 A	2000 W	2900 W	2000 W*	200V, 50 Hz, 30 A, single phase	NEMA L6-30P	1.5 m (5 ft.)	2450MHz	2
Japan <i>single phase</i>	<b>MXP6201JT</b> 728028422610	5000 W, 27.4 A	2000 W	2900 W	2000 W*	200V, 60 Hz, 30 A single phase	NEMA L6-30P	1.5 m (5 ft.)	2450MHz	2
Saudi Arabia <i>single phase</i>	<b>MXP22TLTSA</b> 728028423198	5700 W, 27.4 A	2000 W	3000 W	2200 W*	220 V, 60 Hz, 30 A, single phase	Direct Wire	1.5m (5 ft.)	2450MHz	2



225 49th Ave. Dr. SW, Cedar Rapids, IA 52404 U.S.A.  
800-233-2366 • 319-368-8120 • Fax: 319-368-8198  
www.acpsolutions.com

Part No. 20271214

Updated 01/06/2020

© 2020 ACP, Inc., Cedar Rapids, Iowa 52404

an Ali Group Company



The Spirit of Excellence

Specification #:

AIA File #: