



JCT1200 Remote Condenser

Indigo NXT Series iT0900N Ice Machine on a D570 Bin

Ice machine, bin, and remote condenser sold separately.

ICE SHAPES



▶ **Half-Dice:** 3/8" x 1 1/8" x 7/8"
(0.95 x 2.86 x 2.22 cm)



▶ **Dice:** 7/8" x 7/8" x 7/8"
(2.22 x 2.22 x 2.22 cm)

SIZE

- ▶ Up to 837 lbs (380 kg) of daily ice production
- ▶ 30" (76.20 cm) wide, 34" (72.4 cm) deep, and 76.50" (194.31 cm) high including 6" (15.24 cm) legs
- ▶ 3.99 ft³ (0.113 m³) cabinet volume
- ▶ 532 lbs (241 kgs) ice storage capacity*

*Application capacity based on 90% volume x 33 lbs./ft³ average density of ice

SPECIFICATIONS

Refrigerant: R-410A CFC-Free

BTU Per Hour

- ▶ 12,700 (average)
- ▶ 14,800 (peak)

Compressor: Nominal Rating - 1.5 HP

Operating Limits

- ▶ Ambient temperature range: 40° to 110° F (4.4° to 43.3° C)
- ▶ Remote condenser: -20° to 120° F (-29° to 49° C)
- ▶ Water temperature range: 40° to 90° F (4.4° to 32.2° C)
- ▶ Water pressure ice maker (water in)
 - Min. 20 psi (137.9 kPa)
 - Max. 80 psi (551.1 kPa)

Power

- ▶ 208-230/60/1 (230/50/1 also available)

Total Amps

- ▶ 208-230/60/1: 11.7 amps
- ▶ 208-230/50/1: 7.1 amps

Maximum Fuse Size

- ▶ 15 amps
- ▶ HACR-type circuit breakers can be used in place of fuses

FEATURES

- ▶ Sanitation
 - Hinged front door and removable components (water trough, tube, curtain, probe, pump) allow easy interior access and cleaning.
 - Select parts feature AlphaSan[®] antimicrobial protection.
 - DuraTech[™] exterior provides superior corrosion resistance compared to stainless steel. Innovative clear coat resists finger prints and dirt.
 - Optional LuminIce[®] Growth Inhibitor helps control bacteria and yeast, with status indicator on display.
 - ▶ Sustainability & Value
 - R410a has a 46.8% lower global warming potential compared to R404a.
 - Energy-efficient models (see EnergyStar.gov)
 - Icon-based easyTouch[®] display simplifies operation.
 - Acoustical probe and Active Sense help ensure consistent ice production.
 - 24-hour diagnostics support preventative maintenance.
 - Designed with programmable ice production to take advantage of off-peak rates and/or shut off over night to lower lifetime costs.*
- *Based on manufacturer assumptions without independent testing. Results may vary by settings and conditions.

ACCESSORIES & KITS

- ▶ LuminIce[®] II virus and bacteria inhibitor controls viruses and bacteria in the ice machine.
- ▶ External scoop holder.
- ▶ Arctic Pure[®] Pro water filters reduce sediments and chlorine contaminants down to 0.5 microns. Use with a pre-filter is recommended.
- ▶ iAuCS[®] schedules and performs routine ice machine cleaning automatically.



LuminIce II



External Scoop Holder



Arctic Pure Water Filters



iAuCS[®]

iT0900N

Manitowoc Ice Cube Machine

IDT0900N | IYT0900N

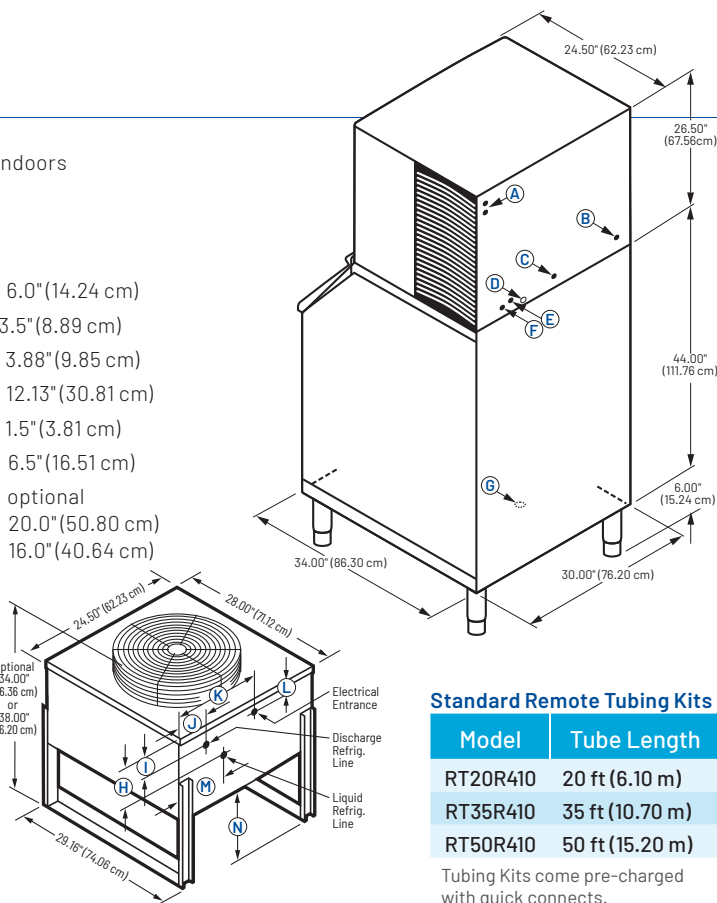
INSTALLATION

Ice machine must be installed indoors

Minimum clearances:

- top and sides: 8" (30.5 cm)
- back: 5" (12.7 cm)

- A** Electrical Entrance (2) Options
- B** 3/8" (0.95 cm) F.P.T. Water Condenser Inlet (water-cooled units)
- C** 1/2" (1.27 cm) F.P.T. Water Condenser Outlet (water-cooled units)
- D** 1/2" (1.27 cm) Auxiliary Base Drain Socket
- E** 3/8" (0.95 cm) F.P.T. Ice Making Water Inlet
- F** 1/2" (1.27 cm) F.P.T. Ice Making Water Drain
- G** 3/4" (1.91 cm) Bin Drain
- H** 6.0" (14.24 cm)
- I** 3.5" (8.89 cm)
- J** 3.88" (9.85 cm)
- K** 12.13" (30.81 cm)
- L** 1.5" (3.81 cm)
- M** 6.5" (16.51 cm)
- N** optional 20.0" (50.80 cm) 16.0" (40.64 cm)



Standard Remote Tubing Kits

Model	Tube Length
RT20R410	20 ft (6.10 m)
RT35R410	35 ft (10.70 m)
RT50R410	50 ft (15.20 m)

Tubing Kits come pre-charged with quick connects.

SPACE-SAVING DESIGN



**iT0900N
D570**

Height	76.5" (194.31 cm)
Width	30" (76.2 cm)
Depth	34.0" (86.36 cm)
Bin Storage	365 lbs (165.7 kgs)

Height includes adjustable bin legs 6.00" to 8.00", (15.24 to 20.32 cm) set at 6.00" (15.24 cm).
Bin capacity is based on 90% of the volume x 33 lbs/ft³ average density of ice.
Ice machine, bin, and remote condenser sold separately.

SPECIFICATIONS

	Model	Ice Shape	Shipping Weight	Ice Production 24 Hours		@ 90° Air/70°F Water (32° Air/21°C Water)		
				70° Air/50°F Water 21° Air/10°C Water	90° Air/70°F Water 32° Air/21°C Water	Power Usage kWh per 100 lbs of ice	Ice Machine Potable water usage per 100 lbs ice	Condenser water usage per 100 lbs ice
				Air Cooled	IDT0900N-261	Dice	221 lbs (100 kgs)	830 lbs (376 kgs)
	IYT0900N-261	Half-Dice	218 lbs (99 kgs)	837 lbs (380 kgs)	703.51 lbs (319 kgs)	5.08	20 Gal (75.7 L)	N/A

★ Energy Star Model

Limited Commercial Warranty

Ice Maker Three (3) years parts and labor

Evaporator Five (5) years parts and labor

Compressor Five (5) years parts, three (3) years labor



2110 South 26th Street | Manitowoc, WI 54220 | United States
+1.920.682.0161 | 920.683.7589 Fax | manitowocice.com

All indicated Pentair trademarks and logos are property of Pentair. Third party registered and unregistered trademarks and logos are the property of their respective owners. ©2026 Pentair. All rights reserved.

7951 Rev D MY26