



SP9

Single-serve undercounter precision brewer.

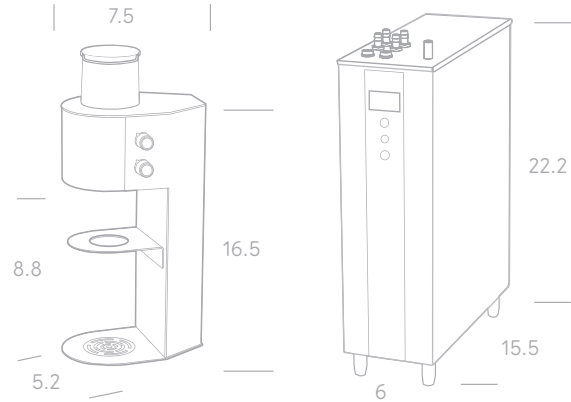
SP9 HEAD
1000830



SP9 BOILER
1000831US



DIMENSIONS



SPECS

NAME ORDER CODE	POWER @ 230V	IMMEDIATE DRAW OFF	CUPS PER HOUR	HEAD DIMENSIONS (D x W x H inches)	UNDERCOUNTER BOILER DIMENSIONS (D x W x H inches)	NEMA	TAP TO COUNTER (inches)	PLUMBING REQS
SP9 Single 1000832US	2.4kW	1 GAL	25	7.5 x 5.2 x 16.5	15.5 x 6 x 22.2	L6-20P	8.8	3/8" Compression or 3/8" John Guest
SP9 Single (White) 1000832(W)US								
SP9 Twin 1000833US			50	7.5 x 5.2 x 16.5 (per head)				
SP9 Twin (White) 1000833(W)US								

PACKAGING

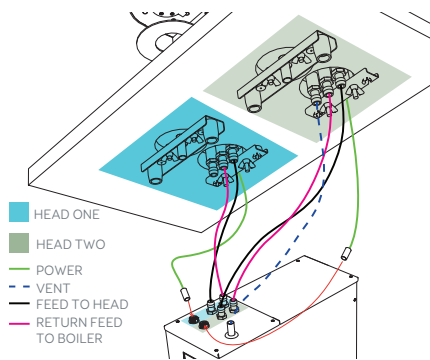
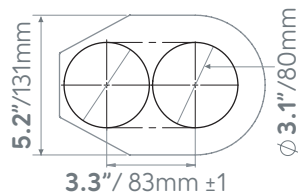
NAME ORDER CODE	PACKED WEIGHT	PACKAGING DIMENSIONS (L x W x H inches)	QTY / PALLET
SP9 Single 1000832US	13.2lb (head) +	23 x 11.25 x 8.5 (head) 20 x 10.5 x 28 (boiler)	12
SP9 Single (White) 1000832(W)US	25.7lb (boiler) Total: 38.9lb (2 boxes)		
SP9 Twin 1000833US	13.2lb (per head) +	23 x 11.25 x 8.5 (head x2) 20 x 10.5 x 28 (boiler)	
SP9 Twin (White) 1000833(W)US	25.7lb (boiler) Total: 52.1lb (3 boxes)		

GOOD TO KNOW

SP9 Single / SP9 Single White [1000832 / 1000832(W)] is packed and shipped in two boxes.
SP9 Twin / SP9 Twin White [1000833 / 1000833(W)] is packed and shipped in three boxes.

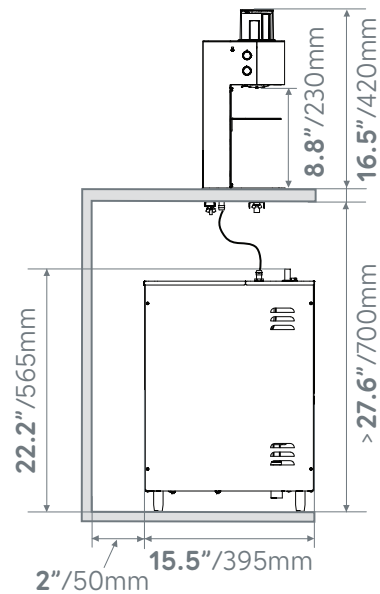
SP9 SINGLE-SERVE PRECISION BREWER

COUNTER CUT-OUT



SP9 SINGLE 1000832US

SP9 TWIN 1000833US



VENTILATION REQUIREMENTS

50mm/1.9" clearance required at each side and back of machine if installed in an enclosed cabinet.

ELECTRICAL INSTALLATION PROCEDURE

When installing the machine, always observe the local regulations and standards. The appliance is supplied with a NEMA L6-20P power cord. A suitable mains power supply socket should be available within easy access of the appliance so that it can be disconnected easily after install.

PLUMBING INSTALLATION PROCEDURE

- Ensure that the equipment is installed according to local plumbing & water regulations.
- Mains water pressure required (limits): 14.5-145psi (100 -1000kPa, 0.1 - 1MPa).
- Requires inline water filter within your water specifications.
- The machine is supplied with a 3/8" Compression or 3/8" John Guest.
- Turn on the water to flush any impurities, dust etc from the inlet hose and water pipe. Allow several litres through. Especially for new installations.
- Connect the hose to the inlet valve of the boiler. Make sure a sealing washer is fitted.
- Turn on water and check for leaks.
- The SP9 Head has a drip tray attached with a drain outlet which should be plumbed to waste.

OPERATING BOILER FOR THE FIRST TIME

- Check that all installation procedures have been carried out.
- Ensure the water valve is on.
- Plug in the SP9 Boiler to an appropriate electrical supply and press the power button on the front of the machine.
- The light will glow green and the machine will fill to a safe level, above the elements, before heating.
- The "Ready/Status" light will cycle two red flashes while the machine is filling to the safe level.
- After this amount of water has heated to the set point the machine will draw more water in until the temperature drops by 1 or 2 degrees. The machine will then heat again. This heat fill cycle continues until the SP9 Boiler is full.
- Whilst the machine is above the safe level and filling, the "Ready/Status" light will remain blank.
- The "Ready/Status" light will glow green when the machine is both full and up to normal operating temperature.
- The SP9 Boiler takes 15 minutes to heat up initially.
- The SP9 Boiler is now ready for use.

NOTE: Because the machine is electronically controlled no priming is necessary.