



# COLDBRU

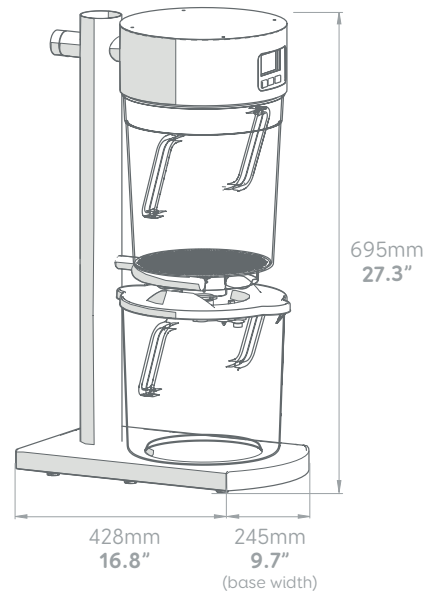
The quickest, easiest, most consistent way to brew ready to drink or concentrate coffee.

- > Average 19% extraction and 4% TDS (up to 30% better yield than leading competitor)
- > Easy to clean with no paper filters
- > Average brew time of 3 hours
- > Input and save up to 3 recipes for ease and consistency

## COLDBRU 1001950US



## DIMENSIONS



## SPECS

NAME ORDER CODE	DIMENSIONS INCL. HANDLES (D x W x H inches)	PLUMBING REQs	POWER REQs	WEIGHT
ColdBRU 1001950US	16.8 x 12.7 x 27.3	1/4" Pushfit	120V 50/60Hz	21.7lbs

## PACKAGING

NAME ORDER CODE	PACKAGING DIMENSIONS (D x W x H inches)	PACKED WEIGHT	QTY / PALLET
ColdBRU 1001950US	19.3 x 15.7 x 35.4	26.8lbs	6