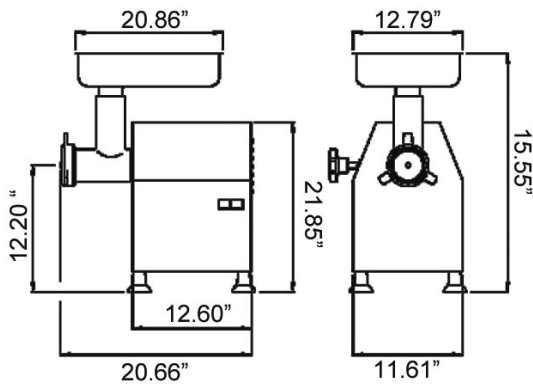


MEAT GRINDERS

MODEL A32

Heavy-duty fan-cooled counter style meat grinder. The complete head, body, and the removable feed pan is manufactured from stainless steel. The machine conforms to CE hygiene and regulation standards. Ideally designed for butcher shops, food stores, and restaurants.



SPECIFICATIONS

Model	Head Size	Horsepower	RPM	Amperage	Electrical	Weight
A32	32	2.7 HP	1720	13	220V/60/1	123 lbs.

Authorized Dealer:



Diverse ♦ Dependable ♦ Proven

**OMCAN INC.
FOOD MACHINERY OF AMERICA INC.**

Email: sales@omcan.com ♦ Phone: 1.800.465.0234 or 905.828.0234 ♦ Fax: 905.607.0234