

Technical data sheet for

P85M8 PROOFER/HOLDING CABINET

Full Size 8 Tray Electric / Manual Proofer/Holding Cabinet



P85M8

Unit shall be a Moffat electrically heated Turbofan Proofer and Holding Cabinet ETL Listed and NSF-4 listed. The proofer and holding cabinet shall have double skin construction with stainless steel interior and exterior sides, front and top. Door shall be side hinged and field reversible. Unit shall have capacity for up to 16 half size sheet pans or 8 full size sheet pans. A single speed fan shall gently and evenly circulate air around the cabinet. Cabinet shall be controlled by a mechanical thermostat and humidity via a control of the water tank. A thermometer shall indicate the cabinet temperature. Proofer and holding cabinet shall be mounted on castors, with two rigid castors at rear and two swivel castors dual swivel and wheel lock and front. Proofer and Holding cabinet shall operate independently or in combination with Moffat Turbofan model E35D or E35T Convection Ovens. Proofer and Holding Cabinets shall be fitted with NEMA 5-15P cordsets. Unit shall be supplied in 100% recyclable shipping packaging.

STANDARD FEATURES

- Dual function Proofer and Holding Cabinet
- Designed for individual use or system installed with Turbofan E35D and E35T Convection Ovens
- 8 full size sheet pan capacity
- 16 half size sheet pan capacity
- 3" / 76mm tray spacing
- 35⁷/₈" / 910mm width
- 110-120V plug-in
- 15A NEMA 5-15P cordset fitted
- Full double skin construction
- Auto water fill system with optional integrated water filter kit
- Continuous door seal
- Side hinged door (standard LH hinge). Optional RH hinge (field convertible)
- Off / Proof / Hold mode selection
- Low velocity circulation fan system
- Mechanical thermostat
- Humidity level control
- Dual halogen cabinet interior lamps
- Cabinet temperature display thermometer
- 4 dia. 3" / 76mm castors with 2 front castors dual wheel and swivel lock, 2 rigid rear castors
- 100% recyclable packaging

ACCESSORIES

- Optional 3M Cuno water filter kit complete with cartridge and connection fittings
- Installs in pre-fitted rear housing of cabinet for flush rear installation

P85M8 Full Size Manual / Electric Proofer/Holding Cabinet

CONSTRUCTION

304 stainless steel interior cabinet
Stainless steel front, sides and top exterior
Stainless steel interior side racks
Stainless steel frame side hinged door
0.2" / 5mm thick door glass
Stainless steel control panel
Aluminized coated steel base and rear panels

CONTROLS

Off / Proof / Holding mode selector switch.
Mechanical thermostat 65-185°F / 20-85°C
Air heating ON control panel indicator
Humidity level control
Humidity tank ON control panel indicator
Cabinet temperature thermometer
Auto-fill water system standard

CLEANING

Stainless steel top and side exterior panels
Stainless steel interior chamber
Easy access to all interior surfaces
Fully removable stainless steel rack support
Removable humidity water tank (no tools)

SPECIFICATIONS

Electrical Requirements
110-120V, 50/60Hz, 1-phase, 1.45kW, 11.6A
NEMA 5-15P cordset fitted



Water Requirements (optional)

Cold water connection 3/4" GHT male
80psi maximum inlet pressure / 20psi minimum inlet pressure

External Dimensions

Width 35 7/8" / 910mm
Height 36" / 914mm including dia. 3" / 76mm castors
Depth 34 5/8" / 880mm

Proofer Internal Dimensions

Width 18 1/4" / 465mm
Height 28 3/4" / 730mm
Depth 31 1/4" / 795mm
Volume 9.5ft³ / 0.27m³

Nett Weight (P85M8)

205lbs / 93kg

Packing Data (P85M8)

292lbs / 133kg
37 ft³ / 1.05m³
Width 37 3/8" / 950mm
Height 42 1/4" / 1070mm
Depth 40 1/2" / 1020mm

INSTALLATION CLEARANCES

Rear 1" / 25mm
LH Side 1" / 25mm
RH Side 1" / 25mm

CLEARANCE FROM SOURCES OF HEAT

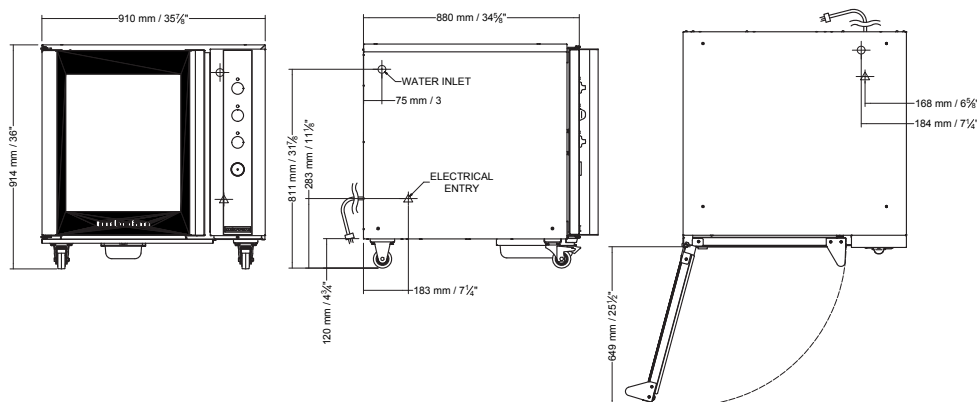
A minimum distance of 12" / 300mm from the appliance sides is required



www.moffatusa.com
www.turbofanoven.com

U.S.A.

Moffat Inc
3765 Champion Boulevard
Winston-Salem
North Carolina 27105
Ph Toll Free 1-800-551 8795
Ph 336-661 0257
Fax 336-661 9546
Email sales@moffat.com
www.moffatusa.com



Manufactured by:
Moffat Limited
45 Illinois Drive, Izone Business Hub
Rolleston 7675, New Zealand



ISO9001
Quality
Management
Standard

Designed and manufactured by



ISO9001

All Turbofan products are designed and manufactured by Moffat using the internationally recognised ISO9001 quality management system, covering design, manufacture and final inspection, ensuring consistent high quality at all times.

In line with policy to continually develop and improve its products, Moffat Limited reserves the right to change specifications and design without notice.