



# NE-1025

## 1000 Watt\* Commercial Microwave Oven

- Stainless Steel Front
- 1000\* Watts of Power
- 6 Minute Electronic Dial Timer
- Auto Reset Feature
- Capacity: 0.8 cubic feet
- “Grab & Go” Door Handle
- Bottom Energy Feed
- Chef Technical Support
- Fits One Half-size 6"-Tall Pan with Cover
- Interior Oven Light
- See-Through Oven Door
- Anti-Theft Equipped
- Will Ship via UPS
- 1 Year Warranty (FS Channels)

### Technical Specifications

**Power source:** 120V, 60Hz, Single phase

**Receptacle required:** NEMA 5-15 R or  
NEMA 5-20 R



**Frequency:** 2,450MH z

**Required power:** 13.4 A

**Output:** 1000 Watts\*

**Outer dimensions:** 20 $\frac{1}{8}$ " w x 16 $\frac{1}{16}$ " d x 12" h

**Cavity dimensions:** 13" w x 13" d x 8 $\frac{1}{16}$ " h

**Net weight:** 34 lbs.

**Shipping weight:** 39 lbs.

**Shipping box size:** 24" w x 18 $\frac{3}{4}$ " d x 14 $\frac{1}{4}$ " h, 3.8 cu. ft.

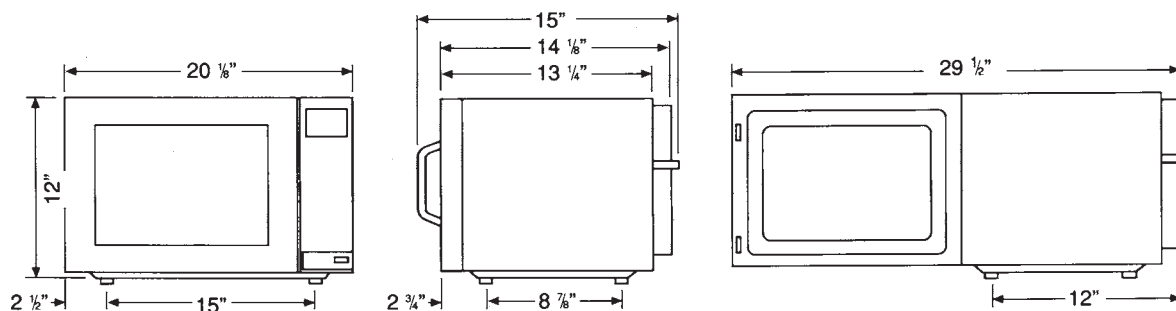
**Timer:** 6 Minute Electronic Dial with Auto Reset

### To specify a Panasonic Commercial Microwave Oven

The NE-1025 Commercial Microwave Oven meets or exceeds all safety performance and sanitation standards set for commercial food service microwave ovens by UL, DHHS, FCC and NSF.

Plus, oven shall have output power 1000 Watts\*, stainless steel front and bottom energy feed. Must be equipped with 6 minute electronic dial timer marked in 15second increments, with auto reset feature instructions and cooking times visible on oven control panel, interior oven lamp, see-through window, door safety lock system, Chef/Test Kitchen technical support and 1 Year limited warranty.

\*IEC705-88 Test Procedure. Specifications subject to change without notice.



# Panasonic

Panasonic Commercial Food Service  
Division of Panasonic North America  
Executive Offices:  
Two Riverfront Plaza, 8th Floor, Newark, NJ 07102-5490  
Toll Free: 1-888-350-9590  
[www.panasonic.com/cmo](http://www.panasonic.com/cmo)