

NEO™ 310 Undercounter Ice Machines

Models

- | | | |
|-----------------------------------|-----------------------------------|-----------------------------------|
| <input type="checkbox"/> UR-0310A | <input type="checkbox"/> UD-0310W | <input type="checkbox"/> UY-0310W |
| <input type="checkbox"/> UD-0310A | <input type="checkbox"/> UY-0310A | |



U-310

- Up to 304 lbs (138 kg) of daily ice production
- 30" (76.20 cm) wide, 28.00" (67.31 cm) deep, and 38.50" (82.55 cm) high on 6" (15.24 cm) legs
- 100 lb. (45.35 kg) ice storage capacity

NEO undercounter ice machines are designed to provide ice right where you need it – within reach. Improvements in **Performance**, **Intelligence** and **Convenience** make your ice machine easy to own and less expensive to operate.

Performance – NEO produces more ice than ever before while using less water and energy. The storage bin provides industry leading capacity.

Intelligence – NEO provides feedback with full bin and service indicators. Delay function allows you to pause your machine for short periods or days when you're closed.

Convenience – NEO offers a forward-sliding storage bin for easy access to refrigeration components without having to move the entire ice machine. Smooth, sealed food-zone with removable water trough, distribution tube, and damper door for faster cleaning. AlphaSan added to key internal components.

Available **LuminIce™ Growth Inhibitor** extends cleaning intervals by reducing yeast and bacteria growth keeping your ice machine cleaner, longer.

Specifications

BTU Per Hour:
4,600 (average)
5,450 (peak)

Compressor:
Nominal rating: .75 HP

Cupra-Nickel Condenser:
(Water-cooled models)
Adds protection from corrosive water elements.

- Operating Limits:**
- Ambient Temperature Range: 40° to 110°F (4.4° to 43.3°C)
 - Water Temperature Range: 45° to 90°F (4.4° to 32.2°C)
 - Water Pressure Ice Maker Water In: Min. 20 psi (137.9 kPa) Max. 80 psi (551.1 kPa)
 - Condenser Inlet Water In: (Water-cooled only) Min. 20 psi (137.9 kPa) Max. 150 psi (1,034.2 kPa)



Ice Shape



Half Dice
3/8" x 1 1/8" x 7/8"
(.95 x 2.86 x 2.22 cm)



Dice
7/8" x 7/8" x 7/8"
(2.22 x 2.22 x 2.22 cm)



Regular
1 1/8" x 1 1/8" x 7/8"
(2.86 x 2.86 x 2.22 cm)

Ice Machine Electric

115/60/1. (208-230/60/1 and 230/50/1 available.) 115/60/1 ice machines are factory pre-wired with a 6' (180 cm) power cord and NEMA 5-15P-plug configuration. 208-230/60/1 ice machines are factory pre-wired with a 6' (180 cm) power cord only, no plug is supplied.

Total Amps:
115/60/1 Air-cooled and Water-cooled: 10 amps
208-230/60/1 Air-cooled: 4.5 amps

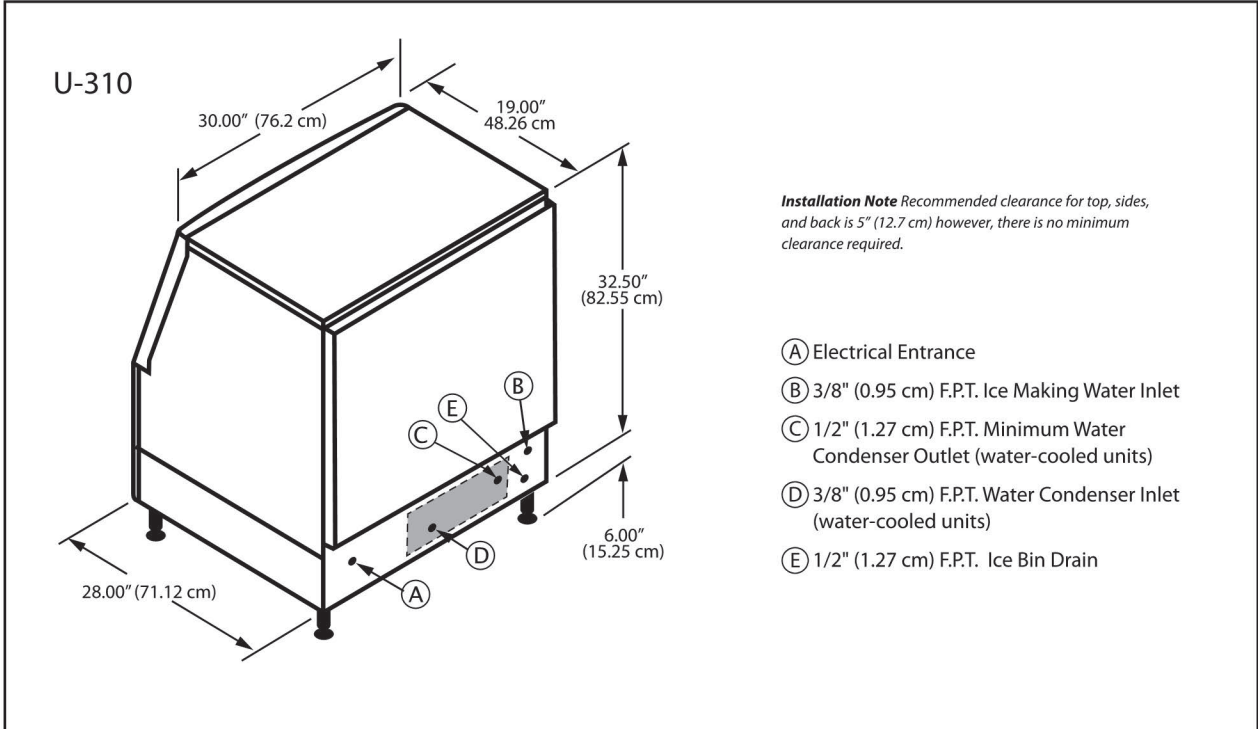
Maximum fuse size:
Air and Water-cooled: 15 amps
HACR-type circuit breakers can be used in place of fuses.



COMPANY WITH
QUALITY SYSTEM
CERTIFIED BY DNV
= ISO 9001:2008 =



NEO™ 310 Undercounter Ice Machines



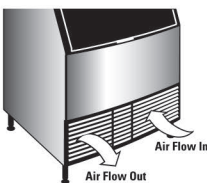
Installation Note Recommended clearance for top, sides, and back is 5" (12.7 cm) however, there is no minimum clearance required.

Specifications

Model	Ice Shape	Ice Production 24 Hours				Power kWh/ 100 lbs. @ 90°/70°F 32°/21°C	Potable water usage gal/100 lbs. ice @90/70°F	ENERGY STAR®
		70°Air/50°F Water 21°Air/10°C Water	90°Air/70°F Water 32°Air/21°C Water					
UR-0310A	regular	292 lbs	132 kg	226 lbs	103 kg	8.3	23.5	★
UD-0310A	dice	304 lbs	138 kg	235 lbs	107 kg	8.3	23.5	★
UD-0310W	dice	271 lbs	123 kg	250 lbs	114 kg	6.1	23.5	NA
UY-0310A	half-dice	304 lbs	138 kg	235 lbs	107 kg	8.3	23.5	★
UY-0310W	half-dice	271 lbs	123 kg	250 lbs	114 kg	6.1	23.5	NA

Water-cooled condensers Water Usage / 100 lbs/45.4 kgs. of Ice: 179 gal./677 liters

Air Flow



Air in right, air out left, no side vents. Great for installation under countertops and next to other equipment.

Removable Bin



Air Filter



Simple, tool-free removal for quick access during routine cleaning and maintenance.