



ADVANTEDGE™ UNDERCOUNTER / WORKTABLE FREEZERS



NLUF60

PROJECT:

 ITEM NUMBER:

 MODEL NUMBER:

UNDERCOUNTER / WORKTABLE FREEZERS

SPECIFICATIONS FOR: NLUF27, NLUF48, NLUF60

- **Finish:** Stainless steel interior and exterior.
- **Insulation:** Complete cabinet and doors are foamed-in-place with polyurethane insulation.
- **Hardware:** Curved handle with recessed pocket with one vinyl coated shelf per door, 6" diameter casters standard.
- **Electrical:** 115 volt, 60 Hz, 1 phase with cord and plug.
- **Refrigeration:** Self contained forced air refrigeration system. The condensate is collected and automatically evaporated from an energy efficient hot gas style vaporizer. Refrigerant flow is controlled by a capillary tube. R-134a refrigerant for NLUF27 and R-404a for NLUF48 and NLUF60. Temperature range: -1°F to -11°F.
- **Approvals:** UL, C-UL and ETL Sanitation listed **

STANDARD FEATURES

- Air cooled condensing unit
- Automatic condensate vaporizer
- Automatic defrost
- Capillary tube system
- Casters
- Curved handle with recessed pocket
- Magnetic gaskets
- Self closing doors
- Stainless steel interior and exterior
- UL, C-UL and ETL Sanitation listed **
- Vinyl coated shelves
- Warranties: 3 year parts & labor, 5 year compressor

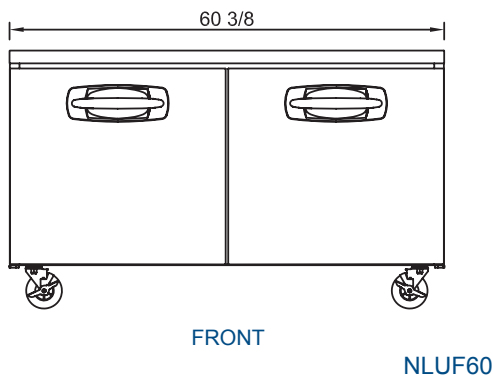
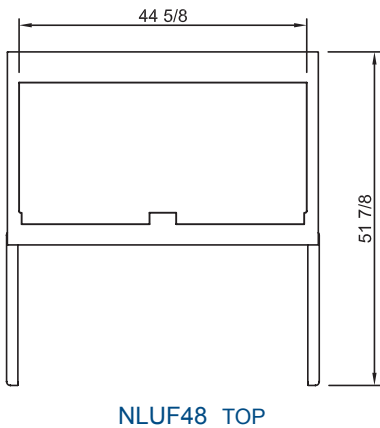
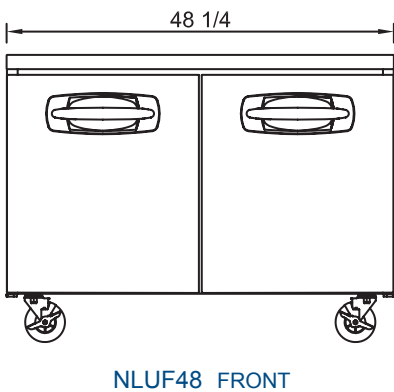
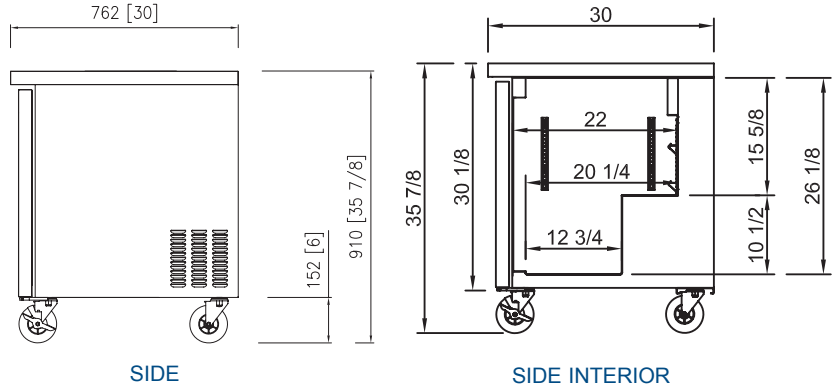
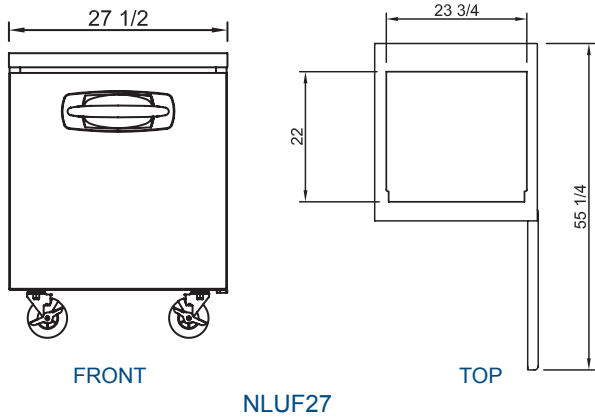
OPTIONAL FEATURES*

- Additional shelves
- Backsplash
- Drawers
- Low profile casters
- Overshelf assemblies



Nor-Lake, Inc.
 Registered to ISO 9001:2008
 File No. 10001816

* Most options are available two weeks from receipt of order. Please contact us for specific questions.
 ** C-UL is Underwriters Laboratories Safety Certification Mark which indicates that UL has tested the equipment to applicable CSA Standards.
 ** UL-Sanitation is Underwriters Laboratories Safety Certification Mark which indicates that UL has tested the equipment to applicable NSF Standards.



SPECIFICATIONS

| Models | NLUF27 | NLUF48 | NLUF60 |
|-----------------------------------|---------------|---------------|---------------|
| <i>Crated Weight (lbs) (kg)</i> | 207 (93) | 298 (134) | 350 (158) |
| <i>Crated Height (in) (cm)</i> | 36-1/4 (91) | 36-1/4 (91) | 36-1/4 (91) |
| <i>Crated Width (in) (cm)</i> | 30-1/8 (75) | 51-1/8 (128) | 63 (158) |
| <i>Crated Depth (in) (cm)</i> | 33-1/2 (84) | 33-1/2 (84) | 33-1/2 (84) |
| <i>Interior Height (in) (cm)</i> | 26-1/8 (65) | 26-1/8 (65) | 26-1/8 (65) |
| <i>Interior Width (in) (cm)</i> | 23-3/4 (59) | 44-5/8 (112) | 56-3/4 (142) |
| <i>Interior Depth (in) (cm)</i> | 20-1/4 (51) | 20-1/4 (51) | 20-1/4 (51) |
| <i>Overall Height (in) (cm)</i> | 35-7/8 (90) | 35-7/8 (90) | 35-7/8 (90) |
| <i>Overall Width (in) (cm)</i> | 27-1/2 (69) | 48-1/4 (121) | 60-3/8 (151) |
| <i>Overall Depth (in) (cm)</i> | 30 (75) | 30 (75) | 30 (75) |
| <i>Gross Cubage (CuFt) (L)</i> | 7.0 (198) | 13.0 (368) | 16.0 (453) |
| <i>Number of Shelves</i> | 1 | 2 | 2 |
| <i>Shelf Area (SqFt) (Sqm)</i> | 2.75 (0.26) | 5.30 (0.49) | 7.32 (0.68) |
| <i>Number of Casters</i> | 4 | 4 | 4 |
| <i>Condensing Unit Size</i> | 3/8 HP | 1/2 HP | 1/2 HP |
| <i>Refrigerant</i> | R-134a | R-404a | R-404a |
| <i>Electrical Characteristics</i> | 115/60/1 | 115/60/1 | 115/60/1 |
| <i>Cord and Plug Furnished</i> | Yes | Yes | Yes |
| <i>Nema Plug Configuration</i> | 5-15P | 5-15P | 5-15P |
| <i>Total Amp Draw</i> | 8.3 | 8.9 | 8.9 |

Specifications subject to change without notice.



Revision Date: 11/13
©2013 Nor-Lake, Inc.
Printed in the USA
Part Number: 146623

