



ADVANTEDGE™ UNDERCOUNTER / WORKTABLE REFRIGERATORS



PROJECT:

ITEM NUMBER:

MODEL NUMBER:

NLUR60

SPECIFICATIONS FOR: NLUR27, NLUR36, NLUR48, NLUR60, NLUR72

- **Finish:** Stainless steel interior and exterior.
- **Insulation:** The complete cabinet and doors are foamed-in-place with polyurethane insulation.
- **Hardware:** Curved handle with recessed pocket with one vinyl coated shelf per door, 6" diameter casters standard.
- **Electrical:** 115 volt, 60 Hz, 1 phase with cord and plug.
- **Refrigeration:** Self contained forced air refrigeration system. The condensate is collected and automatically evaporated from an energy efficient hot gas style vaporizer. Refrigerant flow is controlled by a capillary tube. R-134a refrigerant. Temperature range: +32°F to +40°F.
- **Approvals:** UL, C-UL, ETL Sanitation and ENERGY STAR® listed **

STANDARD FEATURES

- Air cooled condensing unit
- Automatic condensate vaporizer
- Automatic defrost
- Capillary tube system
- Casters
- Curved handle with recessed pocket
- Magnetic gaskets
- Self closing doors
- Stainless steel interior and exterior
- Vinyl coated shelves
- UL, C-UL, ETL Sanitation and ENERGY STAR® listed **
- Warranties: 3 year parts & labor, 5 year compressor

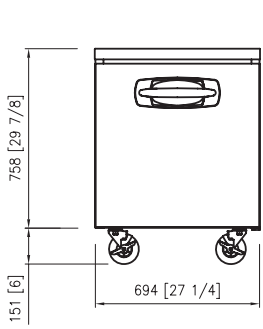
OPTIONAL FEATURES*

- Additional shelves
- Backsplash
- Drawers
- Low profile casters
- Overshelf assemblies



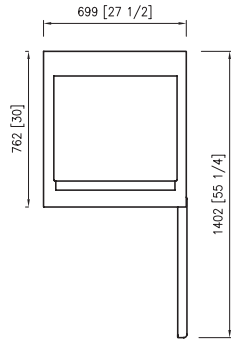
Nor-Lake, Inc.
 Registered to ISO 9001:2008
 File No. 10001816

* Most options are available two weeks from receipt of order. Please contact us for specific questions.
 ** C-UL is Underwriters Laboratories Safety Certification Mark which indicates that UL has tested the equipment to applicable CSA Standards.
 ** UL-Sanitation is Underwriters Laboratories Safety Certification Mark which indicates that UL has tested the equipment to applicable NSF Standards.

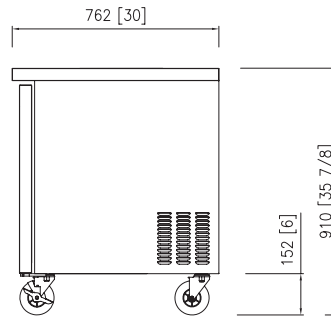


FRONT

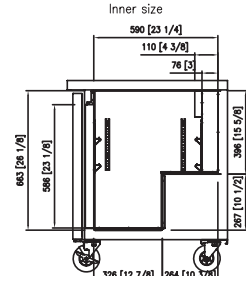
NLUR27



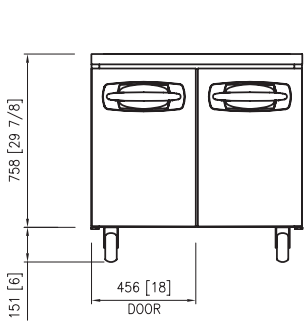
TOP



SIDE

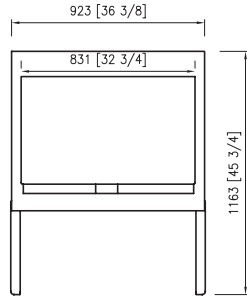


SIDE INTERIOR

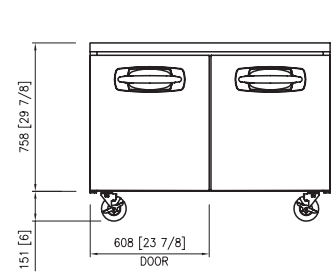


FRONT

NLUR36

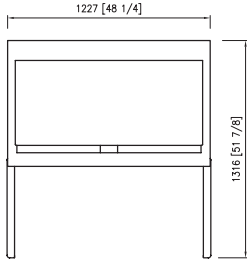


TOP

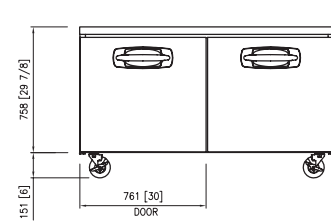


FRONT

NLUR48

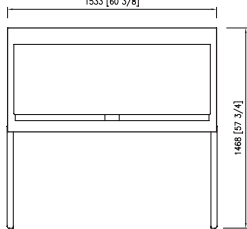


TOP

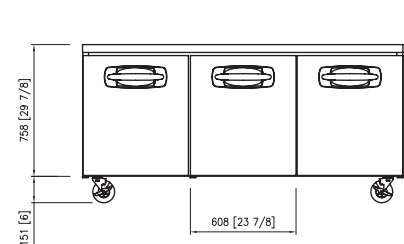


FRONT

NLUR60

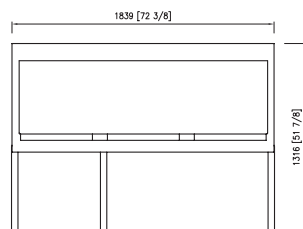


TOP



FRONT

NLUR72



TOP

SPECIFICATIONS

Models	NLUR27	NLUR36	NLUR48	NLUR60	NLUR72
Crated Weight (lbs) (kg)	199 (90)	242 (109)	280 (126)	333 (150)	384 (173)
Crated Height (in) (cm)	36-1/4 (91)	36-1/4 (91)	36-1/4 (91)	36-1/4 (91)	36-1/4 (91)
Crated Width (in) (cm)	30-1/8 (75)	37-1/4 (93)	51-1/8 (128)	63 (158)	74-3/8 (186)
Crated Depth (in) (cm)	33-1/2 (84)	33-1/2 (84)	33-1/2 (84)	33-1/2 (84)	33-1/2 (84)
Interior Height (in) (cm)	26-1/8 (65)	26-1/8 (65)	26-1/8 (65)	26-1/8 (65)	26-1/8 (65)
Interior Width (in) (cm)	23-3/4 (59)	32-3/4 (82)	44-5/8 (112)	56-3/4 (142)	68-5/8 (172)
Interior Depth (in) (cm)	20-1/4 (51)	20-1/4 (51)	20-1/4 (51)	20-1/4 (51)	20-1/4 (51)
Overall Height (in) (cm)	35-7/8 (90)	35-7/8 (90)	35-7/8 (90)	35-7/8 (90)	35-7/8 (90)
Overall Width (in) (cm)	27-1/2 (69)	36-3/8 (91)	48-1/4 (121)	60-3/8 (151)	72-3/8 (181)
Overall Depth (in) (cm)	30 (75)	30 (75)	30 (75)	30 (75)	30 (75)
Gross Cubage (CuFt) (L)	7.0 (198)	10.0 (283)	13.0 (368)	16.0 (453)	20.0 (566)
Number of Shelves	1	2	2	2	3
Shelf Area (SqFt) (Sqm)	2.75 (0.26)	4.12 (0.38)	5.30 (0.49)	7.32 (0.68)	8.05 (0.75)
Number of Casters	4	4	4	4	4
Condensing Unit Size	1/5 HP	1/5 HP	3/8 HP	3/8 HP	3/8 HP
Refrigerant	R-134a	R-134a	R-134a	R-134a	R-134a
Electrical Characteristics	115/60/1	115/60/1	115/60/1	115/60/1	115/60/1
Cord and Plug Furnished	Yes	Yes	Yes	Yes	Yes
NEMA Plug Configuration	5-15P	5-15P	5-15P	5-15P	5-15P
Total Amp Draw	3.2	3.4	7.9	7.9	8.1

Specifications subject to change without notice.



Revision Date: 11/13
 ©2013 Nor-Lake, Inc.
 Printed in the USA
 Part Number: 146627

