

AVAILABLE FROM



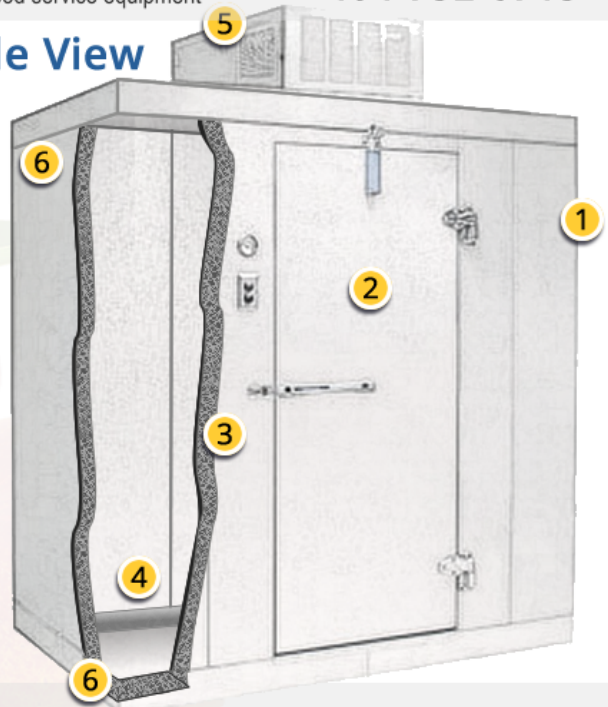
AcityDiscount.com
Your source for food service equipment

CALL FOR MORE INFO
404-752-6715

NORLAKE™ KOLD LOCKER™ WALK-INS

1. Exterior of Kold Locker Walk-in
2. Insulated Door - deadbolt locking handle and interior safety release
3. Paneled Walls - 4" thick panels with polyurethane insulation
4. NSF Floor Coving - 3/4" coved corner between wall panels and floor
5. Capsule Pak refrigeration system & Air-cooled condenser - ceiling or wall mount option available.
6. Floor & Ceilings - ceilings & smooth aluminum floor are 4" thick

Side View



Real vs Nominal Dimensions

The top competitor uses nominal (approximate) dimensions; their 8x8 has interior dimensions of 6' 11.5" x 6' 11.5" - *No way 7' shelving fits in there!*

Kold Lockers models are measured in real dimensions. The 8x8 Kold Locker™ model has interior dimension of 7' 2.5" x 7' 2.5" which will fit 7' shelving on the interior!

Interior Dimensions

Interior Height:

Models with Floor - Subtract 8" from exterior height.
7'7" height = 6'11" Interior height

Floorless Models - Subtract 4" from exterior height.
7'3 5/8" height = 6'11 5/8" Interior height

Interior Length & Width:

All Models: Subtract 9.5" from exterior dimension.
8' x 8' exterior = 7' 2.5" x 7' 2.5" interior

STANDARD FEATURES

- Coolers, freezers and combination cooler / freezers
- Sizes from 3'6" x 6' to 10' x 14'
- Three heights: 6'7" & 7'7" with floor; 7'4" floorless
- Indoor or outdoor models
- Three temperatures: +35°F, -10°F, -20°F (-20°F 10 day ship).
- Capsule Pak™ refrigeration system (ceiling or wall mount)
- Air-cooled condensing unit (wall mount 10 day ship)
- Automatic condensate vaporizer. No drain line required on indoor units
- Time clock provided for automatic defrost on both coolers and freezers.
- 26 gauge corrosion resistant stucco embossed coated steel on all surfaces except interior floor
- Smooth aluminum interior floor (on models with floor)
- Floorless models supplied with NSF listed vinyl sealers
- Full 4" thick panels foamed-in-place with HFC-245fa polyurethane insulation which is CFC and HCFC free
- 26" wide, self closing door
- Heavy duty adjustable cam-lift hinges
- Spring actuated door closer
- Deadbolt locking handle with independent key/pad lock feature and inside safety release
- Magnetic gasket
- Digital thermometer and light switch
- Floor double sweepgasket
- Perimeter door heater wire
- Vapor-proof light
- NSF, UL flame spread 25 on all panels; UL and CSA electrical listing on door sections
- UL, C-UL listing on complete Capsule Pak™ refrigeration systems
- City of Houston listed
- California State listed
- CN UL flame spread approval
- DOE compliant
- Oregon State listed
- USDA accepted
- Registered by UL to ISO 9001:2008
- **Fifteen year panel warranty**
- **18 months party & labor warranty**

OPTIONAL FEATURES

- U-shaped shelving system
- Alarm/light management system
- Floor tread plate kit
- Exterior ramp
- Condensing unit air deflector kit
- Heater kit for cooler located outdoors in below +32°F ambient temps
- Leak detector / alarm (maybe a requirement in some areas)
- Three phase electrical
- Remote Capsule Pak™ refrigeration systems
- Five year compressor warranty
- 5" thick panel models available - *additional lead time required*
- 220/50/1 electrical
- Heights: 8'7" with floor, 8'4" without floor
- Electric vaporizer (for Remote Capsule Pak™ applications)

OUTDOOR MODELS

- White membrane roof and trim
- Refrigeration hood
- Door hood (optional)
- -20°F ambient controls

INDOOR MODELS

- Hot gas condensate vaporizer