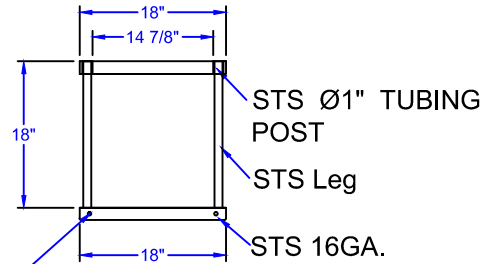


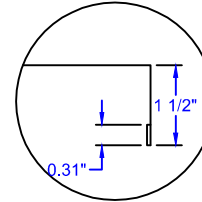
FRONT ELEVATION



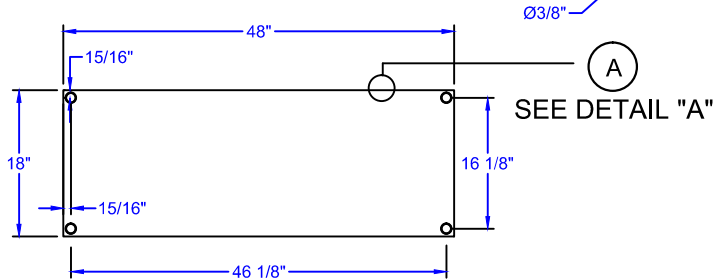
SIDE VIEW

● 18 GA. STAINLESS STEEL CONSTRUCTION.

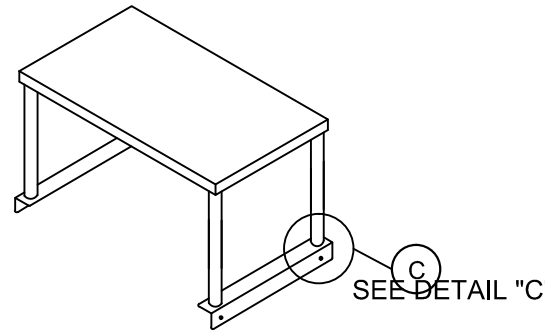
● STAINLESS Ø1" TUBING POST



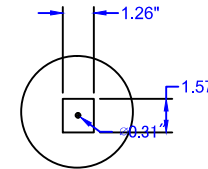
DETAIL "A"



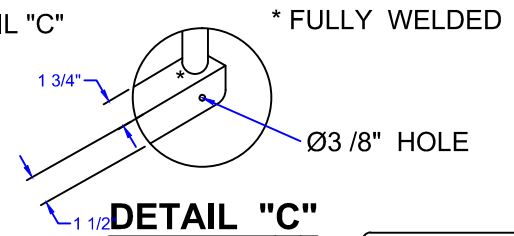
PLAN VIEW



ISOMETRIC



DETAIL "B"



DETAIL "C"

MATERIALS

DECK:
BASE:



JOHN BOOS & CO.

315 SOUTH FIRST STREET
P.O. BOX 609
EFFINGHAM, IL. 62401
(217) 347-7701 / FAX (217) 347-7705

E-MAIL: sales@johnboos.com Web Site: www.johnboos.com

REVISIONS:

JOHN BOOS & CO.

ECONOMY OVERSHELVES

THIS DRAWING AND THE DESIGN SHOWN ARE THE PROPERTY OF JOHN BOOS & CO. REPRODUCTION, INFRINGEMENT OR ANY OTHER UNAUTHORIZED USE OF THIS DRAWING WITHOUT THE WRITTEN CONSENT OF JOHN BOOS & CO. WILL BE SUBJECT TO LEGAL ACTION.

SALES ORDER NUMBER:

DRAWN BY: JB

DATE: 9-21-12

SCALE: 1/2"=1'

MODEL NUMBER: OS-ES-1848

QUANTITY:

ITEM NUMBER:

ROOM NUMBER:

QUAD LOCATION:

SHEET NUMBER: