



One Compartment - Double Drainboard

Stainless Steel Compartment Sinks



Use your smart phone to scan the above QR code to visit our website:
www.bk-resources.com

Certifications:



Features:

- 1/4" Pitched Drainboards To Ensure Proper Drainage
- 1 1/2" Rounded Front and Side Edges
- Accommodates 8" On Center Faucets
- Drain Included
- 9" Backsplash

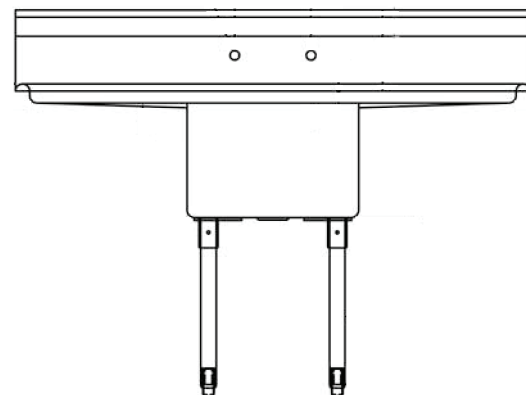
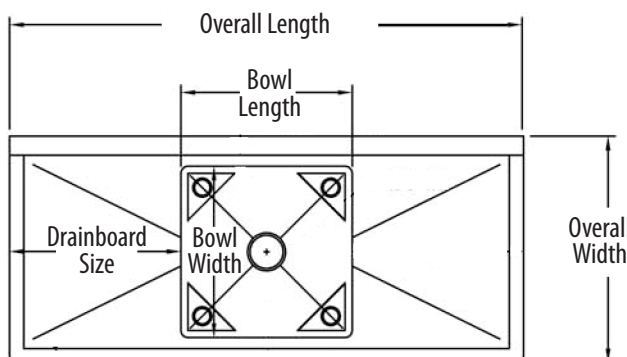
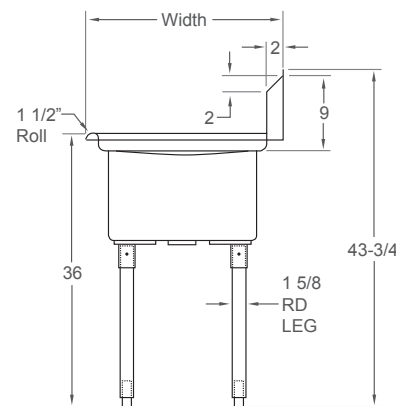
Material:

- T-304 18 ga. Stainless Steel Deck & Bowl
- 1 5/8" Galvanized Legs
- Adjustable High Impact Corrosion Resistant Feet

Options:

- Pre-Rinse Units & Faucets
- Lever Drains
- Upgraded Bullet Feet
- Upgrade to S/S Legs & Bracing

| Part Number | Unit Size (l x w) | Bowl Dim. (l x w x d) | Sets of Faucet Holes | Drainboard Size |
|-------------------|-------------------|-----------------------|----------------------|-----------------|
| BKS-1-1620-12-18T | 52" x 25 13/16" | 16" x 20" x 12" | 1 | (2) - 18" |
| BKS-1-18-12-18T | 54" x 23 13/16" | 18" x 18" x 12" | 1 | (2) - 18" |
| BKS-1-1824-14-24T | 66" x 29 13/16" | 18" x 24" x 14" | 1 | (2) - 24" |
| BKS-1-24-14-24T | 72" x 29 13/16" | 24" x 24" x 14" | 1 | (2) - 24" |



PRODUCT DATA SHEET

BK RESOURCES

