

# Models P300 & P400

## Shuttle Brewers



MODEL P300



MODEL P400



**GRINDMASTER™**  
CORPORATION

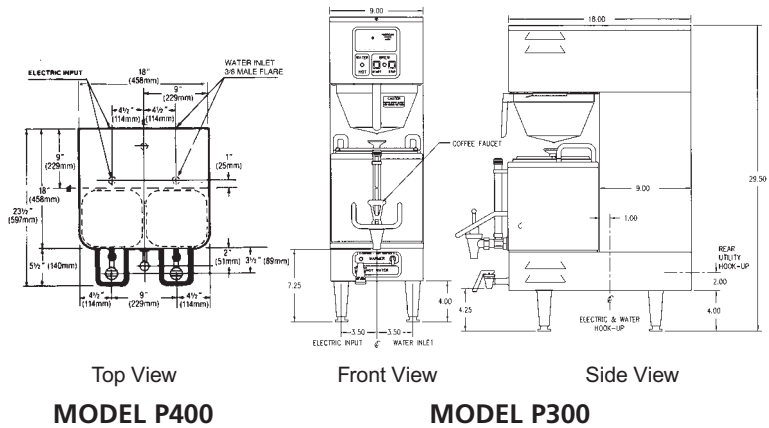


**GRINDMASTER™**  
CORPORATION

**Models P300 & P400**

**Features:**

- Ready to Brew light
- Radiant heat, air-insulated, 1-1/2 gal. (5.7L) CS-1 Shuttles® make transporting easy and keep coffee fresh & hot
- Insulated handles ensure Shuttles® are safe & easy to carry
- Shuttle® lid locks in place while transporting
- Designed for fast access to component & ease of service
- Compact size (P400 is 18" [45cm] wide & P300 is 9" [23cm] wide) takes up less counter space
- One year parts & labor warranty
- P400 includes: 1 twin brewer with stainless brew baskets, stainless legs & (2) CS-1 Shuttles®
- P300 includes: 1 single brewer with stainless brew basket, stainless legs & (1) CS-1 Shuttle®



**Options:**

| Option # | Description  | Option # | Description   |
|----------|--|----------|---|
| C12      | Concealed brew switch  | CW-1     | Base with warmer - 120V, 1 amp 6 lb. (2.72kg)                       |
| C30K     | Higher support frame for 12" (305mm) faucet clearance - single | CW-1H    | Warmer with an 11" (27.5cm) faucet clearance 6 lb. (2.72kg)         |
| C40K     | Higher support frame for 12" (305mm) faucet clearance - twin   | BB1.5WP  | 500 paper filter (13" x 5" / 33cm x 13cm)                           |
| 21A      | Higher wattage heaters available (P400 only)                   | BB1.5SS  | Stainless steel basket  |
| 47       | Low temp, no brew  | BB1.5P   | Plastic brew basket   |
| ABW-L    | Accessory base - electrical plug left                          | DP-15    | Drip pan for P400   |
| CS-1     | Shuttle® 12 lb. (5.44kg)                                       | DP-8     | Drip pan for P300   |
|          |  | BB2.0SS  | Stainless steel brew basket to accommodate 1 lb. (.45 kg) of coffee |

| Specifications              | Model P400                                     | Model P300   |
|-----------------------------|--|--|
| Volts/Watts/Amps            |  | 120/208 VAC, 5.0KW, 24A<br>120/240 VAC, 6.6KW, 28A |
| # Shuttles                  | 2  | 1  |
| Capacity (each shuttle)     | 1-1/2 gallons (5.7L)                           | 1-1/2 gallons (5.7L)                               |
| Brew Time                   | 4 min.   | 4 min.   |
| Cups per Hour               | 600  | 400  |
| Dimensions (H x W x D)      | 28" x 18" x 21"<br>(71 cm x 46 cm x 50 cm)     | 28" x 9" x 23-1/2"<br>(71 cm x 23 cm x 60 cm)      |
| Ship Dimensions (H x W x D) | 29-1/2" x 22" x 26"<br>(75 cm x 56 cm x 66 cm) | 29-1/2" x 11" x 26"<br>(75 cm x 28 cm x 66 cm)     |
| Weight                      | 95 lbs. (42.75 kg)                             | 50 lbs. (22.5 kg)                                  |
| Ship Weight                 | 100 lbs. (45.36 kg)                            | 55 lbs. (25 kg)                                    |
| Listings                    | UL, NSF, CSA                                   | UL, NSF, CSA                                       |

All specifications are subject to improvement or change without notice.

Ask about the Grindmaster Corporation's line of Coffee Grinders, Coffee Brewers, Coffee Urns, Coffee Shuttles, Coffee Grindbrewers, Espresso Grinders, Espresso Brewers, Beverage Dispensers, Granita Machines and Beverage Freezers.



**GRINDMASTER™**  
CORPORATION



Grindmaster® Coffee Grinders and Brewers • Espresso® Espresso Machines • Crathco® Hot Beverage Dispensers  
Crathco® Cold and Frozen Beverage Dispensers • American Metal Ware® Coffee and Tea Systems  
Tel (502) 425-4776 • Fax (502) 425-4664 • 1-800-695-4500 (USA & Canada only)

P.O. Box 35020 • Louisville, KY 40232 • USA