



Refrigeration Equipment Manufacturer

Pizza Prep Unit

P3SRR-24S

Description: Three solid door pizza prep unit, 24 cu. ft

Features & Benefits

Stainless steel interior and exterior for greater durability, construction and appearance.

Self-contained **side-mounted** refrigeration system for larger storage capacity and high humidity coated **fin coil** evaporator.

- Holds 30° F to 42° F for refrigerator

2.5" thick, foamed-in-place polyurethane high density insulation.

Twelve poly-carbonate, 1/3 size pans. 5" casters standard. **Easy mobility and installation.**

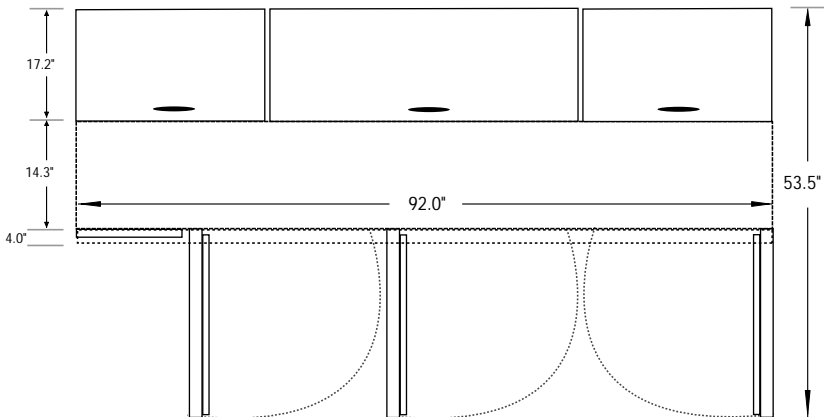
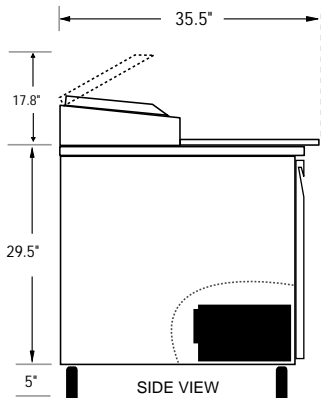
16 gauge, 300 series stainless steel top.

Extra deep 18" full length removable cutting board.

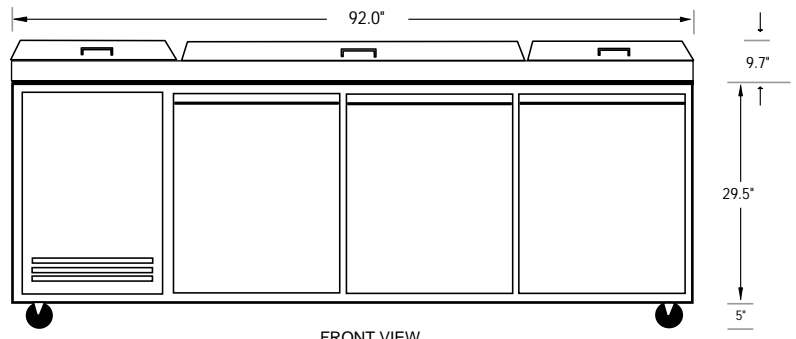
Heavy-duty overall construction for high-volume, constant duty operation.

Self-closing doors with 90 degree hold open feature and **fully-recessed handles.**

Electric condensate evaporator - **no floor drain required!**



TOP VIEW



FRONT VIEW

Dimensions	W	D	H
Exterior (inches)	92.0	31.5	39.2
(height with casters)			44.2
Pallet size (inches)	94.0	33.5	4.5

General Information	Cubic Feet Shelves	Pans
Refrigerator	24	12

Shelf size:	22" x 24"	Volts 115 Amps 11.08 (run) 16.62 (start)
Exterior:	Stainless	
Interior:	Stainless	
Unit Weight (lbs.)	430	
Gross weight (lbs.)	475	
Cord length (inches)	79	
Nema	5-20p	

Compressor Information	# compressors	Refrigerant Capacity
Refrigerant R134A	1	Medium Temp

Use	H.P.
Refrigerator	1/2

SPECIFICATIONS SUBJECT TO CHANGE WITHOUT NOTICE