

Item #:	_____	Qty #:	_____
Model #:	_____		
Project #:	_____		



“L”  
BRACKET

18”Wide Shelves include “L” Brackets



CANTILEVER  
BRACKET

24”Wide Shelves include Cantilever Brackets

Length	18” WIDE	Wt.	24” WIDE	Wt.
24”	PA-18-24	40 lbs.	PA-24-24	46 lbs.
36”	PA-18-36	45 lbs.	PA-24-36	52 lbs.
48”	PA-18-48	50 lbs.	PA-24-48	58 lbs.
60”	PA-18-60	61 lbs.	PA-24-60	69 lbs.
72”	PA-18-72	76 lbs.	PA-24-72	85 lbs.
84”	PA-18-84	87 lbs.	PA-24-84	100 lbs.
96”	PA-18-96	116 lbs.	PA-24-96	128 lbs.
108”	PA-18-108	126 lbs.	PA-24-108	140 lbs.
120”	PA-18-120	140 lbs.	PA-24-120	153 lbs.
132”	PA-18-132	150 lbs.	PA-24-132	168 lbs.
144”	PA-18-144	165 lbs.	PA-24-144	182 lbs.

**FEATURES:**

New Hat Channel design allows shelf to be freely positioned  
Includes Wall Mounting Brackets for Securing Shelf to Desired Position  
Furnished with 1-5/8” sanitary roll down along length at front and rear.  
Ends are square with 1-5/8” turn down at wall dimension.

**CONSTRUCTION:**

All TIG welded. Exposed welded areas polished to match adjacent surface.

**MATERIAL:**

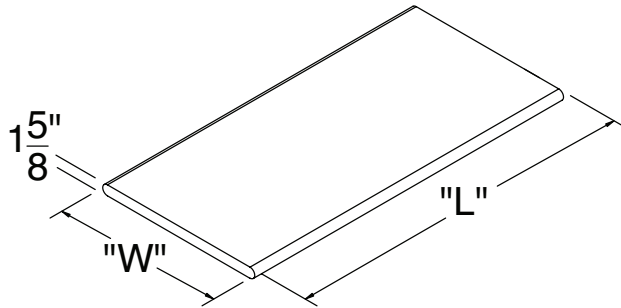
Heavy Gauge Stainless Steel Shelf and Brackets.  
Heavy Gauge Galvanized Hat Channel.

# DETAILS and SPECIFICATIONS

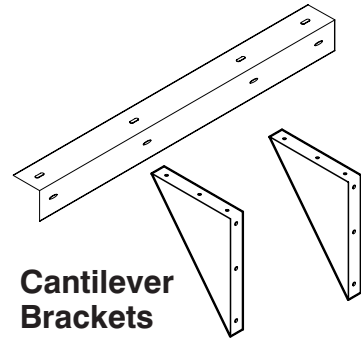
TOL ± .500"

ALL DIMENSIONS ARE TYPICAL

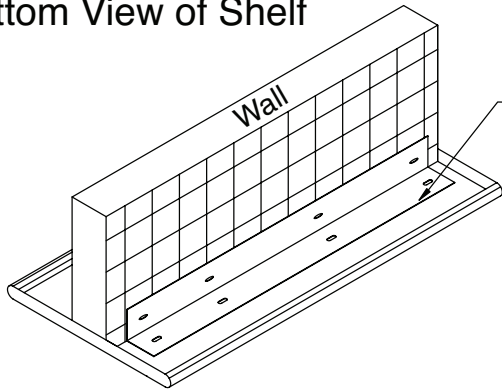
### Top View of Shelf



### "L" Bracket



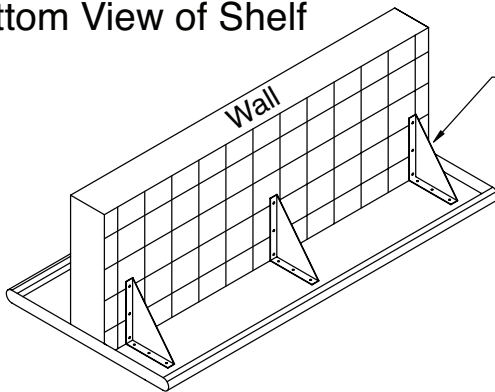
### Bottom View of Shelf



3" x 4" L shape Mounting Bracket  
Supplied with 18" Shelf

### "L" Bracket Detail

### Bottom View of Shelf



5" x 7" Cantilever Mounting Bracket  
Supplied with 24" Shelf

### Cantilever Bracket Detail

