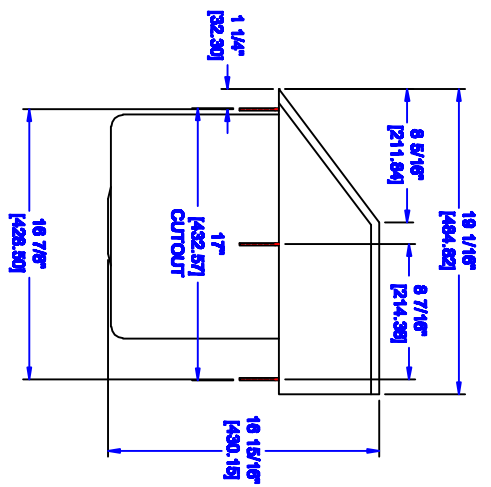
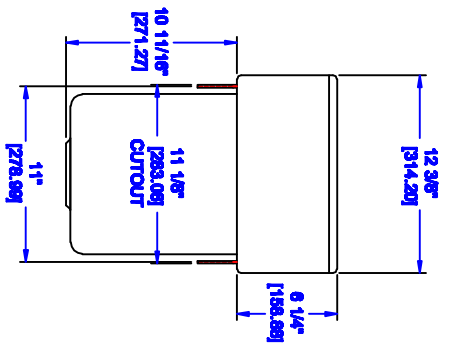
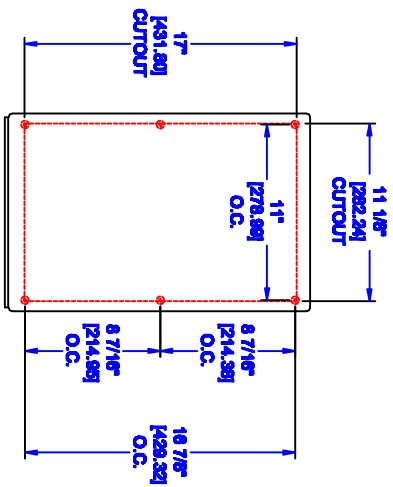
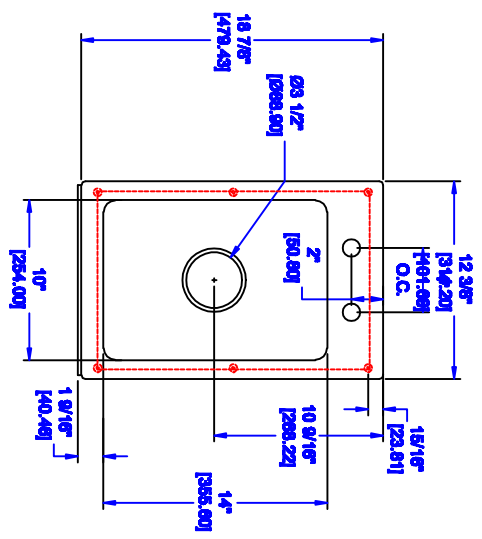


PBF-44D 0056018A QTY: 1
 NOT TO SCALE

4" O.C. DECK MOUNT FAUCET
 W/ 3.5" GOOSENECK SP-OUT



STUD LOCATIONS & CUTOUT



MATERIALS
 DECK: 300 S/S
 BASE:

QUANTITY:
 ITEM NUMBER:
 ROOM NUMBER:
 GRID LOCATION:

MODEL NUMBER:
 P-B-SINK101410-P-SLR

SCALE: 1"=1'-0"

DATE: 1-25-09

DRAWN BY: CS

SCALE ORDER NUMBER:

JOHN BOOS & COMPANY
 DROP IN SINK

THIS DRAWING AND THE SPECIFICATIONS ARE THE PROPERTY OF JOHN BOOS & COMPANY. ANY REPRODUCTION OR TRANSMISSION OF THIS DRAWING OR SPECIFICATIONS WITHOUT THE WRITTEN CONSENT OF JOHN BOOS & COMPANY IS STRICTLY PROHIBITED.

FINISHES

JOHN BOOS & CO.

345 GOOSENECK DRIVE
 P.O. BOX 420
 GREENSBORO, N. CAROLINA
 27402-0420 / TEL: (336) 344-8700



EMAIL: sales@johnboos.com Web Site: www.johnboos.com