

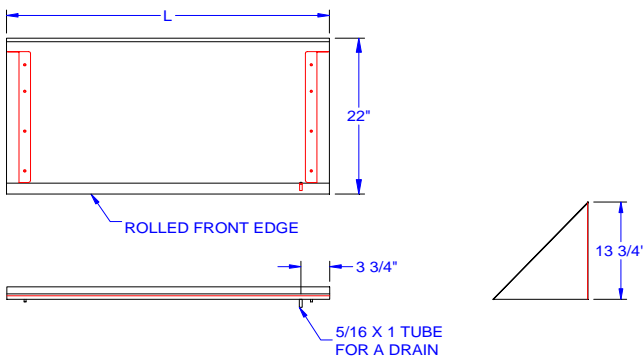
## Wall Mounted Sorting Shelves

Item #	_____	Qty	_____
Model #	_____		
Project	_____		



### SOLID

MODEL #	Length	Width	Height	Weight
PB-SRW-21	21"	18"	16"	5
PB-SRW-42	42"	18"	16"	10
PB-SRW-66	63"	18"	16"	25



### FEATURES:

Solid sorting wall shelf

### CONSTRUCTION:

TIG -Welded with exposed surfaces blended to match

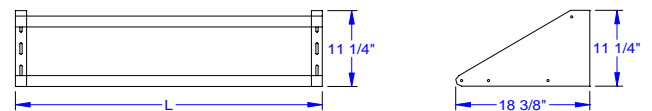
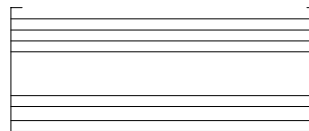
### MATERIAL:

Brackets are 18 gauge type 300 series stainless steel  
Shelf is 18 gauge type 300 series stainless steel



### TUBULAR

MODEL #	Length	Width	Height	Weight
BHS1822-TS	22"	18"	11"	20
BHS1842-TS	42"	18"	11"	23
BHS1863-TS	62"	18"	11"	25



### FEATURES:

Dual purpose open design, Wall mounted sorting shelf

### CONSTRUCTION:

Unit is shipped with assembly hardware, No Welding

### MATERIAL:

Brackets are 16 gauge type 300 series stainless steel  
Tubing is 1-5/8" dia. Type 300 stainless steel

## John Boos & Co

315 South First Street - Effingham, IL 62401

Phone: 217-347-7701 - Fax: 217-347-7705

Email: sales@johnboos.com - Web-site: www.johnboos.com