

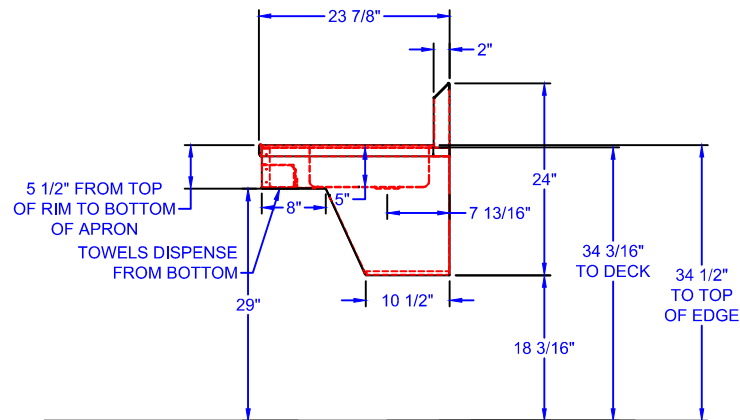
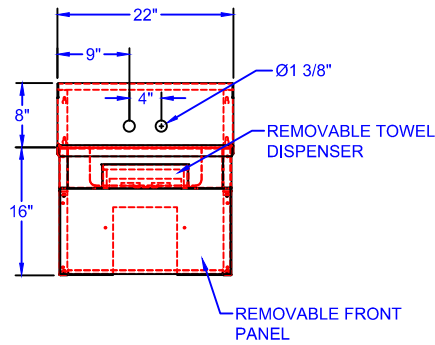
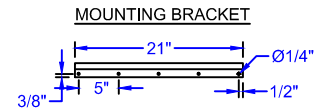
GENERAL NOTES:

MATERIALS

- *18GA. S.S. DECK
- *18GA. S.S. BASE

FEATURES:

- *WELDED SETUP CONSTRUCTION



PBF-4SM-5G NOT TO SCALE	BKF-4SM-XX & BKF-SPT-5G	QTY: 1
4" O.C. SPLASH MOUNT FAUCET W/ 5" GOOSENECK SPOUT		
		
PB-WR NOT TO SCALE	005569	QTY: 1 PAIR
WRIST LEVERS, FOR HAND SINK		
		
PBDR-2 NOT TO SCALE	005436	QTY: 1
MINI BASKET DRAIN		
		

NO SPLASH

JOHN BOOS & CO.

315 SOUTH FIRST STREET
P.O. BOX 609
EFFINGHAM, IL. 62401
(217) 347-7701 / FAX (217) 347-7705

E-MAIL: sales@johnboos.com Web Site: www.johnboos.com

REVISIONS:

JOHN BOOS & COMPANY

THIS DRAWING AND THE DESIGN SHOWN ARE THE PROPERTY OF JOHN BOOS & CO. REPRODUCTION, INFRINGEMENT OR ANY OTHER UNAUTHORIZED USE OF THIS DRAWING WITHOUT THE WRITTEN CONSENT OF JOHN BOOS & CO. WILL BE SUBJECT TO LEGAL ACTION.

DRAWN BY: JK

DATE: 1-16-07

SCALE: 1/2"=1'

QUAD. LOCATION:

QUANTITY: PBHSADAP-STD

MODEL NUMBER:

ITEM NUMBER:

ROOM NUMBER:

SHEET NUMBER: