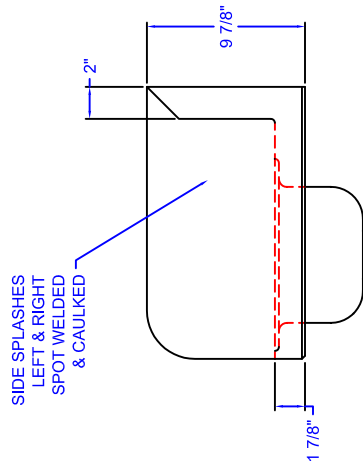
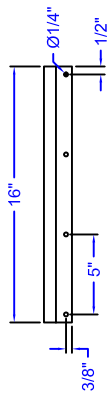
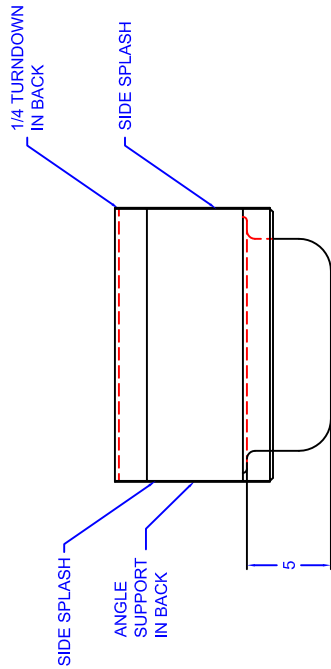


MOUNTING BRACKET



SIDE SPLASHES LEFT & RIGHT SPOT WELDED & CAULKED



MATERIALS

DECK: 16GA. S.S.  
BASE: S.S.

SHEET NUMBER:
QUAD LOCATION:
ROOM NUMBER:
ITEM NUMBER: <b>HANDSINKS</b>
QUANTITY:
MODEL NUMBER: <b>PBHS-W-1410-2DM-SSLR</b>
SCALE: <b>1"=1'</b>
DATE: <b>4-6-05</b>
DRAWN BY: <b>JK</b>
SALES ORDER NUMBER:

JOHN BOOS & COMPANY

PRO BOWL SINKS

THIS DRAWING AND THE DESIGN SHOWN ARE THE PROPERTY OF JOHN BOOS & CO. REPRODUCTION, INFRINGEMENT OR ANY OTHER UNAUTHORIZED USE OF THIS DRAWING WITHOUT THE WRITTEN CONSENT OF JOHN BOOS & CO. WILL BE SUBJECT TO LEGAL ACTION.

REVISIONS:

JOHN BOOS & CO.

315 SOUTH FIRST STREET  
P.O. BOX 609  
EFFINGHAM, ILL. 62401  
(217) 347-7701 / FAX (217) 347-7705

E-MAIL: sales@johnboos.com Web Site: www.johnboos.com

