

PRODUCT:

QUANTITY:

ITEM:

Models CT PCT

Designed Smart

Compact Design with High Output

APW Cold Well Tables are constructed of heavy gauge stainless steel. Cold pan to be type 201 stainless steel, fully insulated, and shall be 20" front-to-back and 6" deep, with pan sloped to a 1 1/2" NPS drain connection.

Features include:

- Galvanized adjustable under shelf with 1 5/8" O.D. galvanized tubular legs
- Stationary units feature adjustable bullet feet.
- Portable units come with stainless steel push handle and 4"-diameter casters – two with brakes



APW Wyott Design Features

- Heavy gauge 201 stainless steel ice pan is flanged down over heavy gauge stainless steel body
- The 6" (152mm) deep ice pan is 20" (508mm) wide, 2 1/2" (64mm) shorter than overall length of top, and insulated on all four sides and bottom
- Ice pan slopes down to a 1 1/2" (38mm) drain and plug
- Under shelf constructed of galvanized sheet or stainless steel
- Legs are 1 5/8" (41mm) diameter
- Stationary units have non-marking plastic adjustable feet
- Portable units have 4" (102mm) swivel casters

Option and Accessories

- Bolted-in under shelf
- Casters
- Over shelves
- Tray slide/shelf
- Dish Shelf
- Buffet shelf with sneeze guard
- 8" (203mm) poly cutting board
- 8" (203mm) hardwood cutting board
- Stainless Steel Legs & Under Shelf**

Reliability backed by APW Wyott's Warranty

All APW Wyott cooking equipment is backed by a 1-year limited warranty and a 1-year on-site labor warrant. *

*Certified by the following agencies:

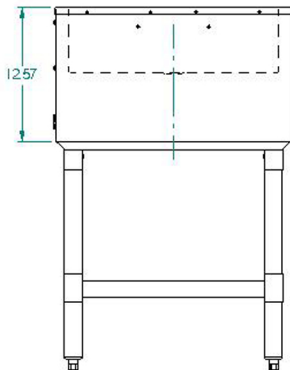
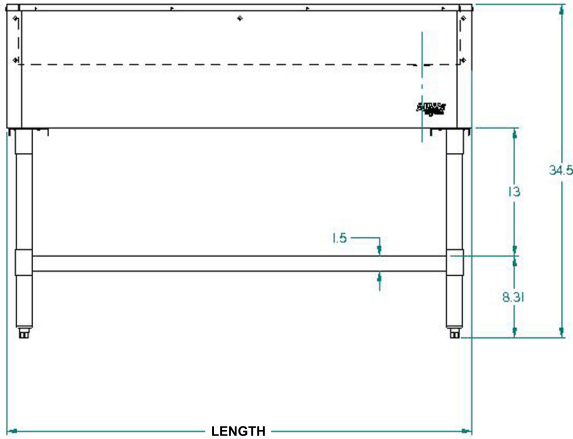
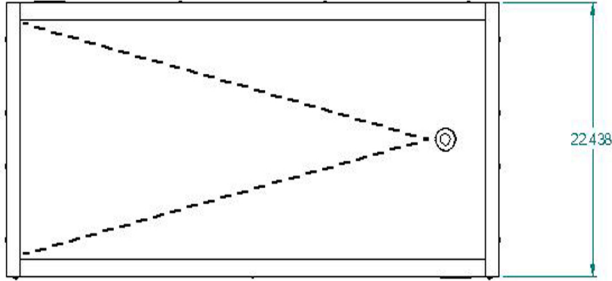


See reverse side for product specifications.

PRODUCT:

QUANTITY:

ITEM:



PRODUCT SPECIFICATIONS

Construction:

Heavy gauge 201 stainless steel ice pan is flanged down over heavy gauge stainless steel body.

Overall Dimensions:

Cold Well Table with Galvanized Legs & Undershelf

CT-3 22 7/16" W X 48" L x 34 1/2" H

PCT-3 22 7/16" W X 48" L x 34 1/2" H

CT-4 22 7/16" W x 63 1/2" L x 34 1/2" H

PCT-4 22 7/16" W x 63 1/2" L x 34 1/2" H

CT-5 22 7/16" W x 79" L x 34 1/2" H

PCT-5 22 7/16" W x 79" L x 34 1/2" H

Cold Well Table with Stainless Steel Legs and Undershelf

CT-3S 22 7/16" W X 48" L x 34 1/2" H

PCT-3S 22 7/16" W X 48" L x 34 1/2" H

CT-4S 22 7/16" W x 63 1/2" L x 34 1/2" H

PCT-4S 22 7/16" W x 63 1/2" L x 34 1/2" H

CT-5S 22 7/16" W x 79" L x 34 1/2" H

PCT-5S 22 7/16" W x 79" L x 34 1/2" H

Shipping:

CT-3 93 lbs

PCT-3 93 lbs

CT-4 118 lbs

PCT-4 118 lbs

CT-5 133 lbs

PCT-5 133 lbs

CT-3S 93 lbs

PCT-3S 93 lbs

CT-4S 118 lbs

PCT-4S 118 lbs

CT-5S 133 lbs

PCT-5S 133 lbs

Freight Class: 100

FOB: Standex Dock

*APW Wyott reserves the right to modify specifications or discontinue models without incurring obligation.