

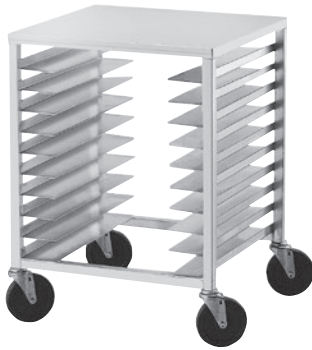


ALUMINUM

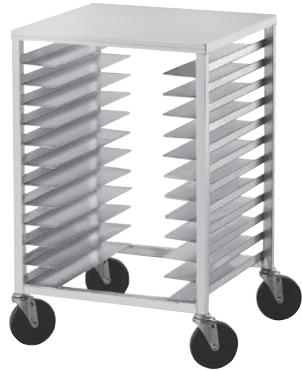
PIZZA PAN AND DOUGH BOX RACKS

Item #: _____	Qty #: _____
Model #: _____	
Project #: _____	

500 lbs. evenly distributed weight.



**Half Size Rack
PR10-3WT**



**Pizza Pan Rack
PZ12**



**Pizza Dough Box Rack
PDB7**



**Pizza Dough Box Rack
PDB14**

FEATURES:

PZ12 - Pizza Pan Rack

2" shelf spacing, 12 pan capacity, 5" poly stem bolted casters, 4" wide slides.

PDB7 - Pizza Dough Box Rack

3 3/4" shelf spacing, 7 box capacity, 5" poly stem bolted casters, 2" slides.

PDB14 - Pizza Dough Box Rack

3 3/4" shelf spacing, 14 pan capacity, 4" plate casters, 2" slides. NO TOP.

Half Size Racks

3" shelf spacing, 10 pan capacity, 5" poly stem bolted casters, 1 1/2" ribbed angles

CONSTRUCTION:

Fully welded, ready for use.

MATERIAL:

6063-T52 extruded aluminum angles, upright tubing, and support pieces.

PIZZA PAN & DOUGH BOX RACKS

Model #	Top	Description	Capacity	Shelf Spacing	Overall Size W x L x H	Approx. Wt.
PZ12	Aluminum Top	Front Load	12 Round or Square Pans	2"	22" x 20 x 33 3/4"	52 lbs.
PDB7	Aluminum Top	Front Load	7 Boxes	3 3/4"	26" x 20 1/4" x 33 3/4"	27 lbs.
PDB14	No Top	Front Load	14 Boxes	3 3/4"	26" x 20 1/4" x 61 1/2"	63 lbs.

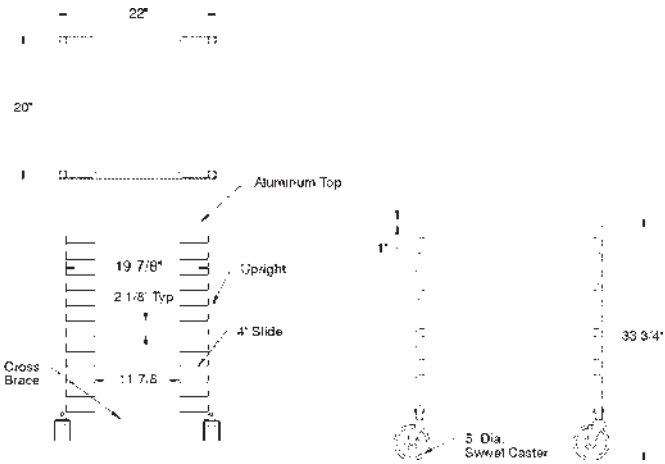
HALF SIZE RACKS

Model #	Top	Description	Capacity	Shelf Spacing	Overall Size W x L x H	Approx. Wt.
PR10-3WT	Aluminum Top	Front Load	10 Full/20 Half Size Pans	3"	20 1/4" x 26" x 38 1/2"	30 lbs.
PR10-3PT	Poly Top	Front Load	10 Full/20 Half Size Pans	3"	20 1/4" x 26" x 39"	45 lbs.
PR10-3ST	Stainless Steel Top	Front Load	10 Full/20 Half Size Pans	3"	20 1/4" x 26" x 39"	35 lbs.

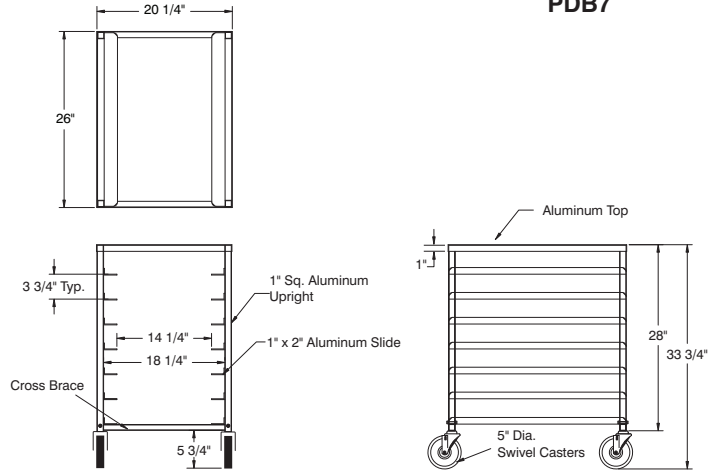
DIMENSIONS and SPECIFICATIONS

TOL ± .50" ALL DIMENSIONS ARE TYPICAL

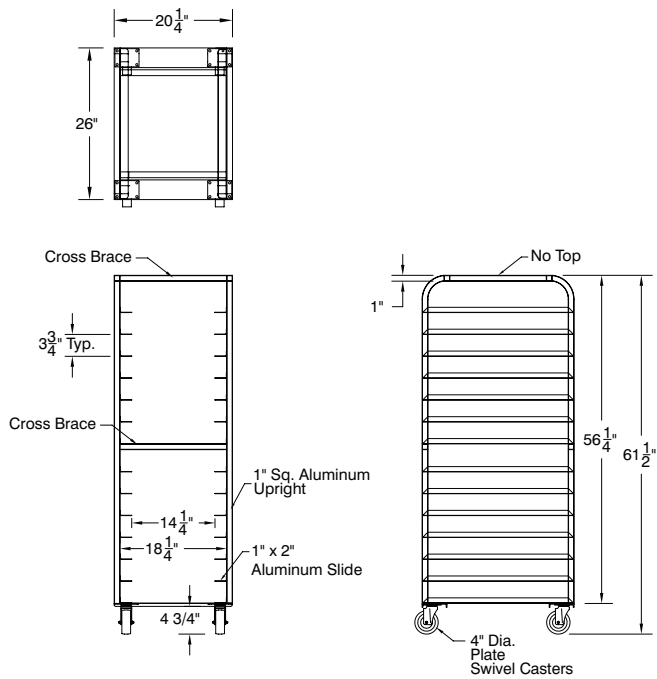
PZ12



PDB7



PDB14 SERIES



PR10 SERIES

