



Profit from the Eagle Advantage®

# Specification Sheet

## Short Form Specifications

Eagle Hot Food Tables, Spec-Master® series, model \_\_\_\_\_ enclosed base design. Top and body are heavy gauge type 430 stainless steel (Open Front or Sliding Doors). Beaded top openings are 12 3/32" x 20 3/32". Heating compartments are 8" deep, galvanized, and insulated on all four sides and bottom with 1" fiberglass or equal. Recessed control panel with individual thermostatic controls. Each compartment fitted with 750-watt tubular heating element above the insulated bottom. 6' cord and plug. Complete unit wired to master toggle switch with indicator light. Furnished with polycarbonate cutting board. Includes 5"-diameter swivel plate casters (two with brake).



unit with open front shown with optional accessories

## Options / Accessories

- Hardwood cutting boards
- 1000-watt heater\*
- Spillage pans
- Rolltop cover
- Food pans/insets
- Tray slides/shelves
- Top adapters
- Serving shelves
- Decorative laminates
- Spec-Master® marine edge

\* For 208V and 240V models only. To order, add suffix "-1". Example: PHT30B-120-1

## EAGLE GROUP

100 Industrial Boulevard, Clayton, DE 19938-8903 USA

Phone: 302-653-3000 • Fax: 302-653-2065

www.eaglegrp.com

Foodservice Division: Phone 800-441-8440

MHC/Retail Display Divisions: Phone 800-637-5100

For custom configuration or fabrication needs, contact our SpecFAB® Division.

Phone: 302-653-3000 • Fax: 302-653-2065 • e-mail: quotes@eaglegrp.com

Item No.: \_\_\_\_\_  
 Project No.: \_\_\_\_\_  
 S.I.S. No.: \_\_\_\_\_

# Spec-Master® Electric Hot Food Tables—Enclosed Base, Portable

## MODELS:

- PHT2CB-120
- PHT3CB-120
- PHT4CB-120
- PHT5CB-240\*
- PHT2CB-240\*
- PHT3CB-240\*
- PHT4CB-240\*
- PHT5OB-240\*
- PHT2OB-120
- PHT3OB-120
- PHT4OB-120
- PHT6CB-240\*
- PHT2OB-240\*
- PHT3OB-240\*
- PHT4OB-240\*
- PHT6OB-240\*

\* Available in 208-volt and three-phase. See chart on back page.

## Construction

- Table body and top constructed of highly polished heavy gauge 430 series stainless steel.
- Top has die-stamped beaded openings measuring 12 3/32" x 20 3/32" (307 x 510mm).
- A poly cutting board 8" wide x 1/2" (203 x 13mm) thick is mounted on drop brackets located on control side of unit.
- 5" (127mm) diameter NSF-approved ball bearing swivel casters (two with brake).
- Push bar attached to end panel at operator's right.
- Full perimeter bumper guards.

## Controls

- Individual thermostatic controls offer a wide range of temperature settings.
- Indicator light remain on continuously while control is on.

## Heat Compartments

- Each heat compartment is 8" (203mm) deep and lined with 22 gauge galvanized steel.
- Each compartment is insulated on all four sides and bottom with 1" (25mm) thick fiberglass or equal.

## Electrical

- Each compartment is fitted with a 750-watt tubular element above the insulated bottom.
- 6' cord with plug extends from the righthand control side as standard equipment.
- Complete unit is wired to a master toggle switch with indicator light.
- 120-volt units are single phase. 208- and 240-volt units available in single- and three-phase.

## Sliding Doors (when indicated)

- 22 gauge stainless steel construction complete with recessed stainless steel handle.
- Doors sit within an exclusive rollerless track assembly, providing easier cleaning and lower maintenance.

## Certifications / Approvals



## AUTOQUOTES



EG30.05 Rev. 10/15

Spec sheets available for viewing, printing or downloading from our online literature library at [www.eaglegrp.com](http://www.eaglegrp.com)

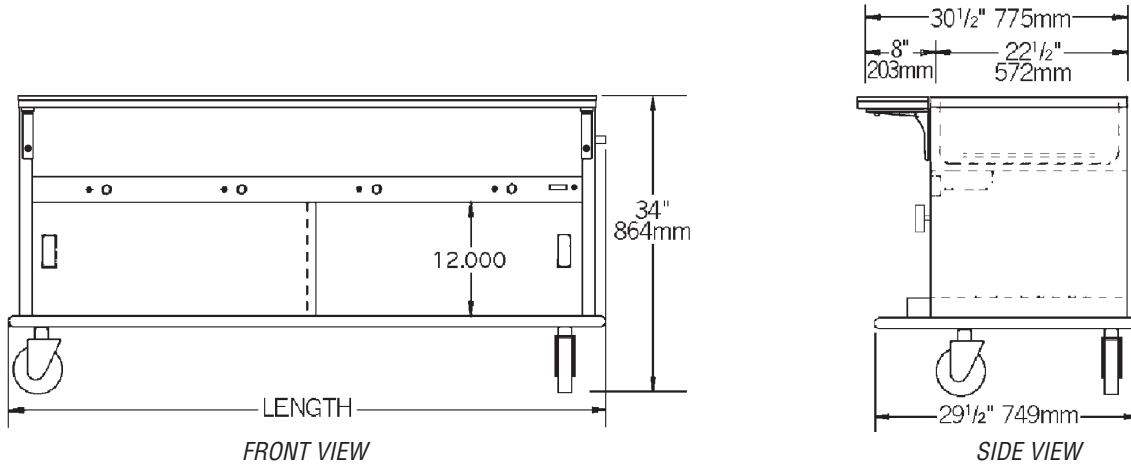
Eagle Foodservice Equipment, Eagle MHC, SpecFAB®, and Retail Display are divisions of Eagle Group. ©2015 by the Eagle Group



Profit from the Eagle Advantage®

Item No.: \_\_\_\_\_  
 Project No.: \_\_\_\_\_  
 S.I.S. No.: \_\_\_\_\_

# Spec-Master® Electric Hot Food Tables—Enclosed Base, Portable



(note: unit with sliding doors shown)

SINGLE-PHASE				THREE-PHASE *				# of top openings	electrical data	length		weight	
WITH OPEN FRONT model #	WITH SLIDING DOORS model #	amps	NEMA plug	WITH OPEN FRONT model #	WITH SLIDING DOORS model #	amps	NEMA plug			in.	mm	lbs.	kg
PHT2OB-120	PHT2CB-120	12.5A	5-15P	n/a	n/a	-	-	2	1500W, 120V	35 3/4"	908	200	90.7
PHT2OB-208	PHT2CB-208	7.2A	6-15P	PHT2OB-208-3	PHT2CB-208-3	6.3A	15-20P	2	1500W, 208V	35 3/4"	908	200	90.7
PHT2OB-240	PHT2CB-240	6.3A	6-15P	PHT2OB-240-3	PHT2CB-240-3	5.4A	15-20P	2	1500W, 240V	35 3/4"	908	200	90.7
PHT3OB-120	PHT3CB-120	18.8A	5-15P	n/a	n/a	-	-	3	2250W, 120V	50 3/4"	1289	240	108.9
PHT3OB-208	PHT3CB-208	10.8A	6-15P	PHT3OB-208-3	PHT3CB-208-3	6.3A	15-20P	3	2250W, 208V	50 3/4"	1289	240	108.9
PHT3OB-240	PHT3CB-240	9.4A	6-15P	PHT3OB-240-3	PHT3CB-240-3	5.4A	15-20P	3	2250W, 240V	50 3/4"	1289	240	108.9
PHT4OB-120	PHT4CB-120	25.0A	5-50P	n/a	n/a	-	-	4	3000W, 120V	66 1/4"	1683	280	127.0
PHT4OB-208	PHT4CB-208	14.4A	6-20P	PHT4OB-208-3	PHT4CB-208-3	9.5A	15-20P	4	3000W, 208V	66 1/4"	1683	280	127.0
PHT4OB-240	PHT4CB-240	12.5A	6-20P	PHT4OB-240-3	PHT4CB-240-3	8.3A	15-20P	4	3000W, 240V	66 1/4"	1683	280	127.0
PHT5OB-208*	PHT5CB-208*	18.0A	6-30P	PHT5OB-208-3	PHT5CB-208-3	12.5A	15-20P	5	3750W, 208V	81 3/4"	2076	320	145.2
PHT5OB-240*	PHT5CB-240*	15.6A	6-20P	PHT5OB-240-3	PHT5CB-240-3	10.8A	15-20P	5	3750W, 240V	81 3/4"	2076	320	145.2
PHT6OB-208*	PHT6CB-208*	21.6A	6-30P	PHT6OB-208-3	PHT6CB-208-3	12.5A	15-20P	6	4500W, 208V	97 3/4"	2470	363	164.7
PHT6OB-240*	PHT6CB-240*	18.0A	6-30P	PHT6OB-240-3	PHT6CB-240-3	10.8A	15-20P	6	4500W, 240V	97 3/4"	2470	363	164.7

\* All Three-Phase units, and Single-Phase 5- and 6-well units, available in 208V and 240V only.

### Receptacle Configurations Required

See above chart for applicable NEMA plug.

15A 120V	15A 240V	20A 240V	30A 240V	50A 120V	20A 3Ø 240V
furnished with NEMA 5-15 plug	furnished with NEMA 6-15 plug	furnished with NEMA 6-20 plug	furnished with NEMA 6-30 plug	furnished with NEMA 5-50 plug	furnished with NEMA 15-20 plug

### FLEX-MASTER® Overshelf Kits

Both kits include two 16/304 overshelves and four 30" (762mm) posts. Add suffix specified to order kit (example: PHT2OB-120-FMU), or design your own using standard components from EG30.18.

description	add suffix
10" (254mm) overshelves	-FM
15" (381mm) overshelves, plus one ladle rack	-FMU

**EAGLE GROUP**  
 100 Industrial Boulevard, Clayton, DE 19938-8903 USA  
 Phone: 302-653-3000 • Fax: 302-653-2065  
 www.eaglegrp.com

Foodservice Division: Phone 800-441-8440  
 MHC/Retail Display Divisions: Phone 800-637-5100

Printed in U.S.A.  
 ©2015 by Eagle Group

Rev. 10/15

Spec sheets available for viewing, printing or downloading from our online literature library at [www.eaglegrp.com](http://www.eaglegrp.com)

Although every attempt has been made to ensure the accuracy of the information provided, we cannot be held responsible for typographical or printing errors. Information and specifications are subject to change without notice. Please confirm at time of order.