

14” Heavy Duty Automatic Slicer

MODELS:

PPSLA-14

Standard Features

- Automatic high precision capacity and cutting, improved with 3 carriage speed and 3 stroke lengths (small-medium-large)
- All functions for slice count, carriage speed control, stroke length control, start/hold/down control are integrated in a digital display and button panel
- Double powerful motors to drive this slicer device, one motor(1/2 HP, 370watts) drives blade, another motor(2/3 HP, 450watts) drives stroke moving
- 14” and 13” special alloy knife (Rasspe®, high quality brand made in Italy), longer lasting and easier to sharpen
- Heavy duty slicer for full capacity at cheese slicing, all day-long duty slicing, slicing volume rate range at 37-62 slices per minute
- Easier switch between automatic slice model to manual slice mode
- High quality reliable structure at base, frame and carriage, include: stainless steel bottom base, anodized aluminum frame base and carriage
- Plastic free structure at this slicer: stainless steel material at index knob, carriage handle and feet
- Top mounted metal knife sharpener with two stones for a razor sharp cutting edge
- High quality stainless steel index knob control gets to 9/16”(14mm) precision slice thickness adjustment
- Knife cover interlock prevents slicer from operating without knife cover in place
- Sealed splash zones for added sanitation and seamless edges and radius corners
- Large square food receiving plate
- Big carriage angle 42°, full gravity feed food chute
- Power switch secures no voltage release preventing inadvertent reactivation of slicer in the event of power or interlock interruption

PPSLA FRONT VIEW



PPSLA ANGLE



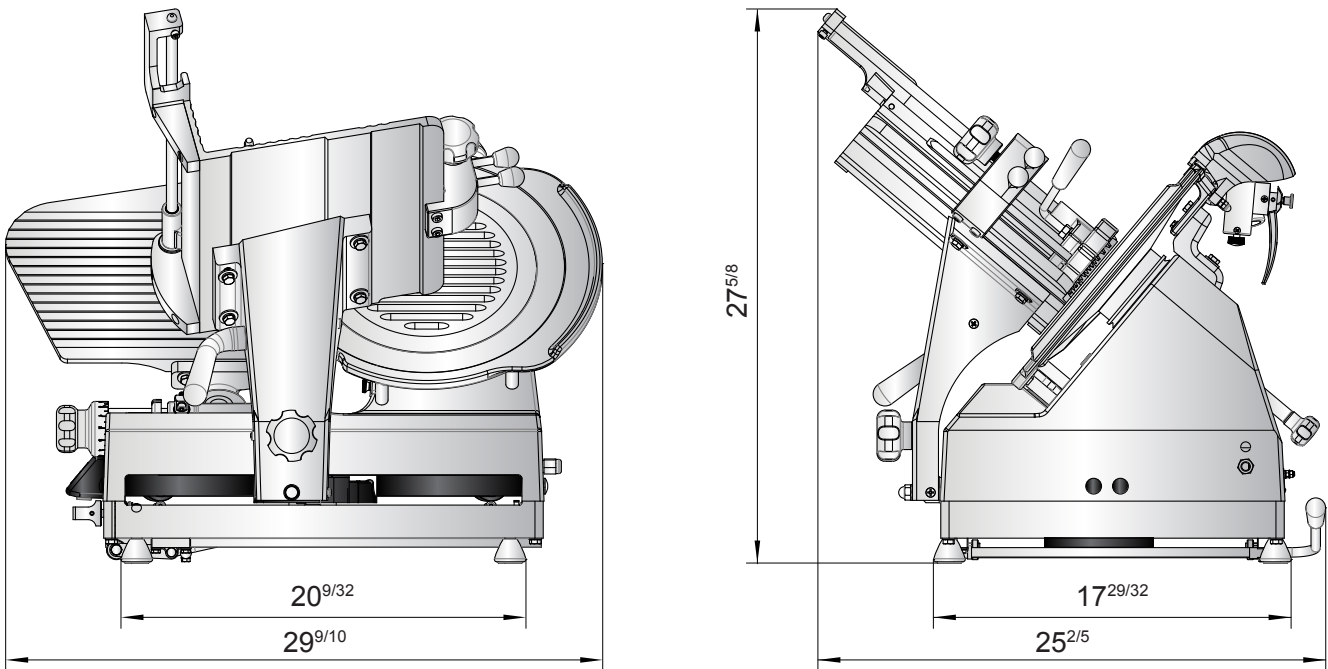
1 YEAR PARTS AND LABOR WARRANTY (US ONLY)



SPECIFICATIONS

Model	HP	Watts(W)	Voltage(V/Hz/Ph)	Amps(A)	Drive Type	Exterior Dimensions(inch)	Gross Weight(lbs)
PPSLA-14	2/3	450	110/60/1	4.6	Belt driven	29 ^{9/10} ×25 ^{2/5} ×27 ^{5/8}	156

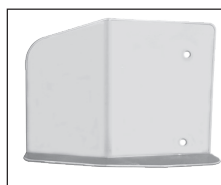
PLAN VIEW



A-M Switch



Sealed splash



Control Panel

