

**REFRIGERATOR MANUFACTURER**  
**Turbo air**  
 more durable, efficient, beautiful

4184 E. Conant St.  
 Long Beach, CA 90808  
 Tel. 310-900-1000  
 Fax. 310-900-1077  
[www.turboairinc.com](http://www.turboairinc.com)

Project:	
Model #:	
Item #:	
Available W/H:	Qty:
Approval:	
AIA #:	SIS #:
CSI Section 11400	

## Solid Door Heated Cabinet

Reach-In  
**PRO Series**

**Model : PRO-77H**

### ≡ FEATURES & BENEFITS ≡

#### ■ Digital temperature control & monitor system

- Keep food products safe by maintaining constant temperatures.
- Alarm beeps when doors are not sealed.
- Early warning alarm program detects issues before malfunction occurs.
- Digital display allows for easy monitoring.
- Sensitive touch display.

#### ■ Ducted fan air distribution system

Maintains temperature within the food zone

#### ■ On/Off switch

ON/OFF switch is located on control panel

#### ■ All stainless steel cabinet construction

The PRO series model boasts a stainless steel interior and a **22 gauge** stainless steel exterior (galvanized steel top, bottom). It guarantees the utmost in cleanliness and long product life. The PRO series model adds a touch of style to the most refined setting.

#### ■ Sturdy, clean stainless steel shelving

Shelves are the most important part of cleanliness as they come in direct contact with food. After a while, PVC coated wire shelves may peel, rust and lead to unsanitary conditions. Only the Turbo Air PRO series uniquely provides stainless steel shelving.

#### ■ LED interior lighting

#### ■ High-density polyurethane insulation

The entire cabinet structure and solid doors are foamed-in-place using high density, CFC free polyurethane insulation.

#### ■ Full length stainless steel solid doors with locks

#### ■ Self-closing doors with stay open feature at 120 degrees

#### ■ Heated cabinet holds 140°F ~ 180°F for the best in food preservation

#### ■ Lifetime guaranteed heavy duty hinges and handles




Model	Swing Door	CU./FT.	#of Shelves	Wattage (W)	AMPS	Crated Weight (lbs.)	L x D* x H† (inches)
<b>PRO-77H</b>	<b>3</b>	<b>73.9</b>	<b>9</b>	<b>3000</b>	<b>15</b>	<b>695</b>	<b>77 3/4 x 33 7/8 x 78</b>

# Solid Door Heated Cabinet

Reach-In  
PRO Series

## Model : PRO-77H

ELECTRICAL DATA	
Voltage	208/115/60/1
Plug Type	 NEMA L14-20P
Full Load Amperes	15
Wattage (W)	3000
Feed Wires with Ground	4
Cord Length (ft.)	8
DIMENSIONAL DATA	
# of Doors	3
# of Racks Accepted	3
Net Capacity (cu. ft.)	73.9
Ext. Length Overall (in.)	77 <sup>3</sup> / <sub>4</sub> (1976mm)
Ext. Depth Overall (in.)*	33 <sup>7</sup> / <sub>8</sub> (860mm)
Ext. Height Overall (in.)†	78 (1982mm)
Int. Length Overall (in.)	68 <sup>1</sup> / <sub>4</sub> (1735mm)
Int. Depth Overall (in.)	27 <sup>5</sup> / <sub>8</sub> (702mm)
Int. Height Overall (in.)	58 <sup>3</sup> / <sub>4</sub> (1493mm)
# of Shelves	9
Shelf Size (L x D) (in.)	22 <sup>3</sup> / <sub>4</sub> x 26 <sup>3</sup> / <sub>8</sub> (Left/Right)
	25 x 26 <sup>3</sup> / <sub>8</sub> (Middle)
Net Weight (lbs.)	627
Gross Weight (lbs.)	695

Design and specifications subject to change without notice.

Actual shipping weight may differ due to extra packing materials for product protection.

\* Depth does not include 1-1/4" for door handles.

† Height does not include 5" for caster height.

### ■ WARRANTY : 3 Year Parts and Labor Warranty

### ■ STANDARD FEATURES

- Door locks standard
- Standard 4" dia. swivel casters with locks on the front set
- Easy replaceable one piece magnetic door gaskets
- Solid and sturdy grille design

\*\* Lead time applies. Please contact your sales representative for more details to order.

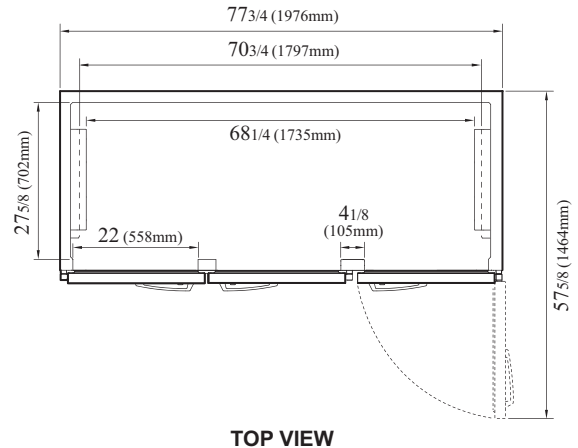
### ■ OPTIONAL ACCESSORIES

- 5" caster, 1/2" diameter & 13 TPI:  
M726500100 (non-brake), M726500200 (w/ brake)
- 4.7" leveling seismic leg (1/2", 13 TPI): 30221M0500
- 6" stainless steel leg: 30221M0600
- Additional stainless steel shelf: (L, R) H50R901700, (M) H77R801710
- Half door bun tray rack: TSP-2224  
(each holds up to six 18"L x 26"D sheet pans-sold separately)
- Full door bun tray rack: TSP-2250  
(each holds up to fifteen 18"L x 26"D sheet pans)
- Tray slides kits: TS23-N1LR(#1), TS23-N4LR(#4), TS23-UNLR-H(Universal),  
TS3-N1C(#1), TS3-N4C(#4), TS3-UNC-H(Universal)
- (1) Pair of #1 Tray Slides: H26R104460
- (1) Pair of Universal Tray Slides: H26R104470

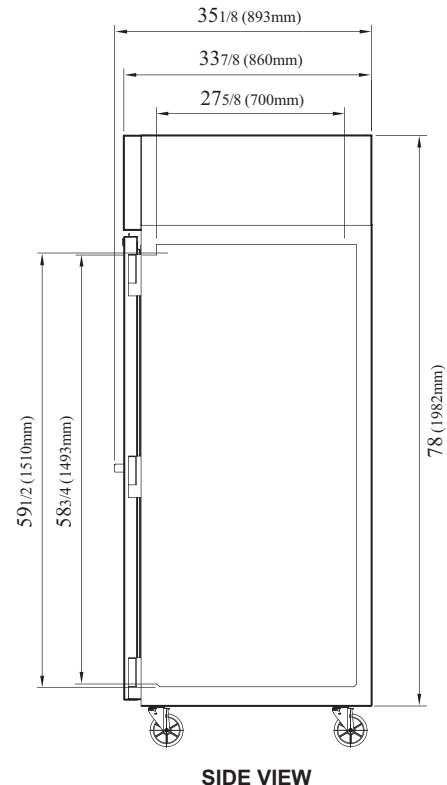
Ver.20210226

## PLAN VIEW

(unit : inch)



TOP VIEW



SIDE VIEW



- Turbo Air : 800-627-0032
- GK : 800-500-3519
- Warranty : 800-381-7770
- AC : 888-900-1002