



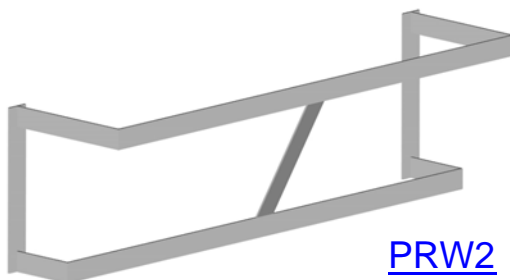
"PRW1" & "PRW2" Stainless Steel POT RACKS

Model PRW1 Single Bar Rack Wall Mount

Model PRW2 Double Bar Rack Wall Mount



PRW1



PRW2

Model <u>PRW1</u> <u>Single</u> - Bar Rack			
<u>Wall Mount</u>			
MODEL	LENGTH	HOOKS	QTY
PRW11A	36"	3	
PRW11	48"	4	
PRW12	60"	5	
PRW13	72"	6	
PRW13A	84"	7	
PRW14	96"	8	
PRW14A	108"	9	
PRW15	120"	10	

Model <u>PRW2</u> <u>Double</u> - Bar Rack			
<u>Wall Mount</u>			
MODEL	LENGTH	HOOKS	QTY
PRW21	36"	6	
PRW21	48"	8	
PRW22	60"	10	
PRW23	72"	12	
PRW23A	84"	14	
PRW24	96"	16	
PRW24A	108"	18	
PRW25	120"	20	

FEATURES:

- * Pot Racks are fabricated from 2"x3/16" Stainless Steel flat bar 16 gauge, type 300 stainless steel with # 3 polish, satin finish
- * All Pot Racks feature **Welded-Set-Up**
- * Pot Hooks are Removable and Stainless Steel
- * All models are approved by the National Sanitation Foundation

CONSTRUCTION:

- * Stainless Steel Pot Racks are TIG welded
- Exposed welds are polished to match adjacent surfaces

MATERIAL:

Frame: 2" x 3/16" Flat Bar, 16 gauge type 300 stainless steel
3 polish, satin finish

Hooks: Stainless Steel

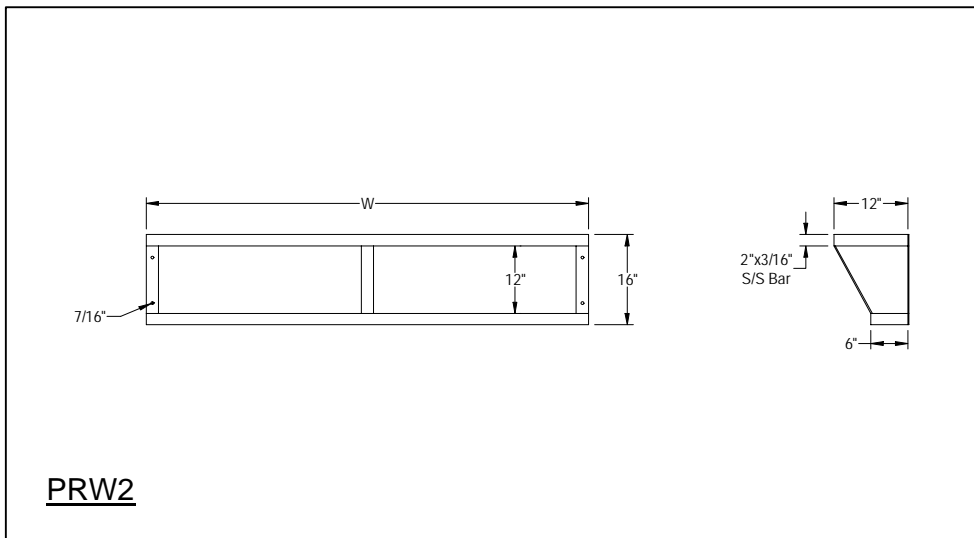
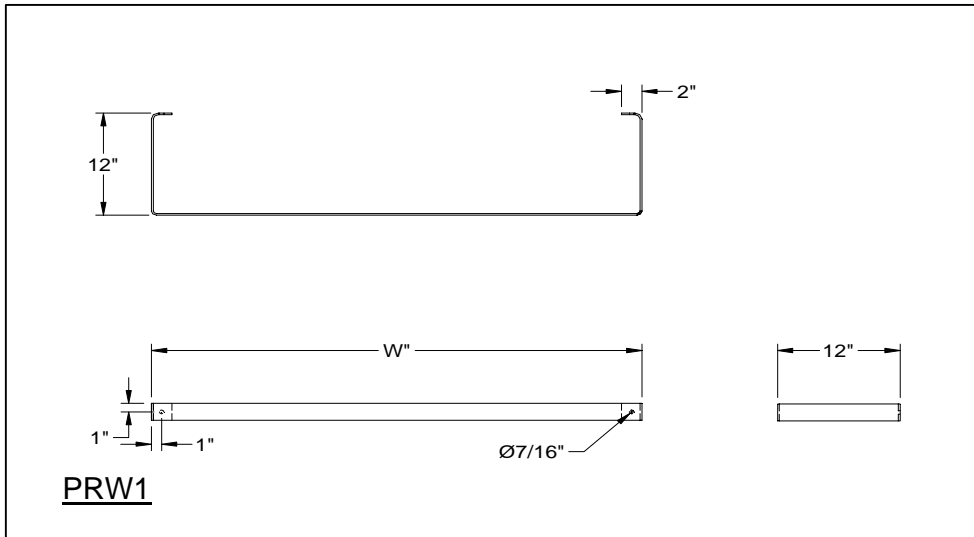
OPTIONAL ACCESSORIES

	MODEL	Qty
Extra Hooks		

John Boos & Co

315 South First Street - Effingham, IL 62401
Phone: 217-347-7701 - Fax: 217-347-7705
Email: sales@johnboos.com - Web-site: www.johnboos.com

DETAILED SPECIFICATIONS



Shipped Welded set-Up
 Units 6 ft. and longer are furnished with extra support bracket
 All dimensions are typical.
 Tolerance +/- .500".

Model PRW1 Single - Bar Rack			
Wall Mount			
MODEL	LENGTH	HOOKS	WT
PRW11A	36"	3	9
PRW11	48"	4	11
PRW12	60"	5	14
PRW13	72"	6	17
PRW13A	84"		20
PRW14	96"	8	22
PRW14A	108"		25
PRW15	120"	10	28

Model PRW2 Double - Bar Rack			
Wall Mount			
MODEL	LENGTH	HOOKS	WT
PRW21A	36"	6	20
PRW21	48"	8	22
PRW22	60"	10	29
PRW23	72"	12	35
PRW23A	84"	14	42
PRW24	96"	16	48
PRW24A	108"	18	54
PRW25	120"	20	60

John Boos & Co

315 South First - Effingham, IL 62401 Phone: 217-347-7701 - Fax: 217-347-7705
 Email: sales@johnboos.com - Web-site: www.johnboos.com



March 2009

John Boos is constantly engaged in a program of improving products and therefore reserves the right to change specification without prior notice