



Economy Equipment Work Shelf

Stainless Steel Equipment Stands



Use your smart phone to scan the above QR code to visit our website:
www.bk-resources.com



Shown with
Optional
Plate Shelf

Features:

- Create a work area directly in front of your equipment
- Fully adjustable heights
- Works on SVET and VETS units
- Connects to legs
- Does not fit EETS units

Options:

- EQ-PS (Plate Shelf) adds another adjustable shelf
- Poly & Wood Surface

Material:

- T-304 18 ga. Stainless Steel Top
- T-304 16 ga. Stainless Steel Arms/Tubing

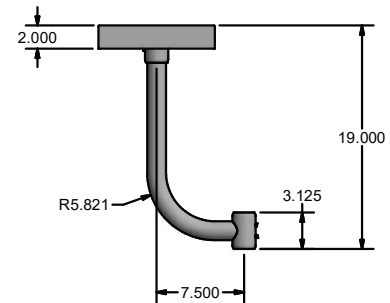
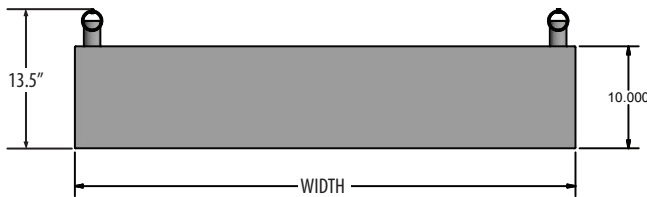
EQ-WS: Single Work Shelf

Part Number	Fits SVET/VET	Size l x w x h
EQ-WS15	-1530	13.5" x 16" x 19"
EQ-WS18	-1830	13.5" x 19" x 19"
EQ-WS24	-2430	13.5" x 25" x 19"
EQ-WS36	-3630	13.5" x 37" x 19"
EQ-WS48	-4830	13.5" x 49" x 19"
EQ-WS60	-6030	13.5" x 61" x 19"
EQ-WS72	-7230 & -6	13.5" x 73" x 19"

EQ-PS: Adds a Plate Shelf to Work Shelf

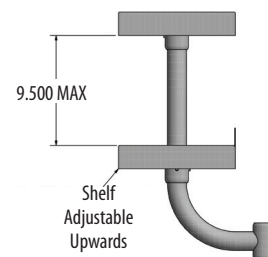
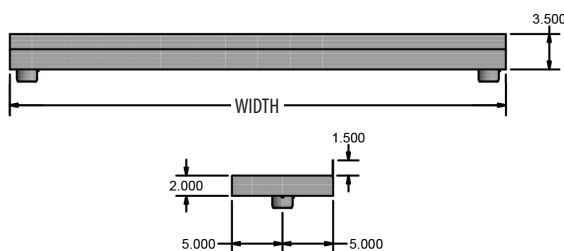
Part Number	Fits	Size l x w x h
EQ-PS15	EQ-WS15	10" x 16" x 3.5"
EQ-PS18	EQ-WS18	10" x 19" x 3.5"
EQ-PS24	EQ-WS24	10" x 25" x 3.5"
EQ-PS36	EQ-WS36	10" x 37" x 3.5"
EQ-PS48	EQ-WS48	10" x 49" x 3.5"
EQ-PS60	EQ-WS60	10" x 61" x 3.5"
EQ-PS72	EQ-WS72	10" x 73" x 3.5"

EQ-WS: Single Work Shelf



EQ-WS Only

EQ-PS: Adds a Plate Shelf to Work Shelf



Complete Unit
EQ-WS & Optional EQ-PS