



FLAT TOP PREP TABLE

MEGA TOP FORCED AIR MODELS PT-W

Self-contained refrigerated salad top unit with raised rim cutouts in stainless steel top. Recessed pan ledge to hold 6" deep pans, pans not provided. Electronically controlled natural R290 refrigeration system with Randell mullion blower coil, cools base and pans. Stainless steel roll cover, hinged louver, foamed in place urethane insulation, casters and cordset for 115V operation.

SHORT FORM SPEC: Randell PT-W series preparation table with side-mounted compressor and 26" deep base interior. R290 refrigeration system includes mullion blower coil with electronic controller metered by capillary tube system. Raised rim cutouts in stainless steel top with recessed pan ledge. Base interior ends and door openings shall be high impact ABS plastic. Base cabinet door and drawers to have recessed handles and include press-fit magnetic gaskets. Unit to be shipped on standard 6" high casters.

AVAILABLE MODELS:

- PT48-18W-L
- PT60-24W-L
- PT72-30W-L
- PT84-36W-L

STANDARD FEATURES:

- Side mounted compressor with mullion coil provides proper pan cooling, and "full depth" usable interior space
- SNAP compliant R-290 HC refrigerant
- Visible externally mounted electronic controller features automatic adaptive defrost
- Exterior stainless steel top & ends
- Foamed in place "CFC free" urethane insulation
- Raised rim cutouts in stainless steel top with recessed pan ledge to hold 6" deep pans, pans not provided
- Stainless steel, roll cover
- Hinged compressor compartment panel for access to condenser coil cleaning
- 6" casters, front with locks
- 8' cord and plug for 115 volt operation
- Press-fit magnetic gaskets

REFRIGERATION SYSTEM: The system will utilize state of the art, energy efficient R290 compressor system with (0) ozone depletion potential (ODP) and (3) global warming potential meeting SNAP (CA) compliance. System is controlled by an externally visible electronic controller metered using capillary tube system. Front-breathing side mounted compressor housing design allows maximum airflow, heat removal and easy maintenance of the condensing unit. Mullion coil, is coated to resist corrosion, and offers balanced air flow while allowing use of the full depth interior for maximum product storage. Units totally prewired and to be supplied with 8' cordset (NEMA 5-15P) for 115V operation.

This equipment is intended for use in rooms having an ambient temperature of 86°F (30°C) or less.

CABINET EXTERIOR: Cabinet body is constructed of all metal. Cabinet top to be one piece die-formed 20 gauge stainless steel with 1 1/2" high square nosing. Top to have raised rim cutouts with recessed pan ledge to hold 6" deep pans, pans not provided. Hinged, stainless steel roll cover, 20 gauge stainless steel. All units are standard with stainless steel ends. Door openings to be ABS and contain magnetic strip for positive sealing of gaskets. Louver is stainless steel, hinged for easy access to condenser coil cleaning. 6" casters, front locking.

CABINET INTERIOR: Unit base interior to be ABS thermoplastic at ends only. Anodized aluminum base liner to be coved cornered to form interior bottom, back and top meeting N.S.F. standard #7. One baked enamel finished shelf provided behind door. Unit insulated with a minimum of 2.5" of CFC free, foamed in place polyurethane.

DOORS: Easy to grasp recessed handles, foamed in place insulation, press fit magnetic gaskets - (designed for installation & removal without tools), and deep draw ABS interior liner for maximum insulation value. Doors mounted on heavy duty concealed stainless steel hinges with bronze pivot pin in nylon bushing.

ORIGIN OF MANUFACTURE: Designed, tested and manufactured in the United States (MI, MS).

PROJECT NAME:	
LOCATION:	
ITEM NO:	
QTY:	
MODEL NO:	
AIA NO:	
SIS NO:	
CSI SECTION:	11400



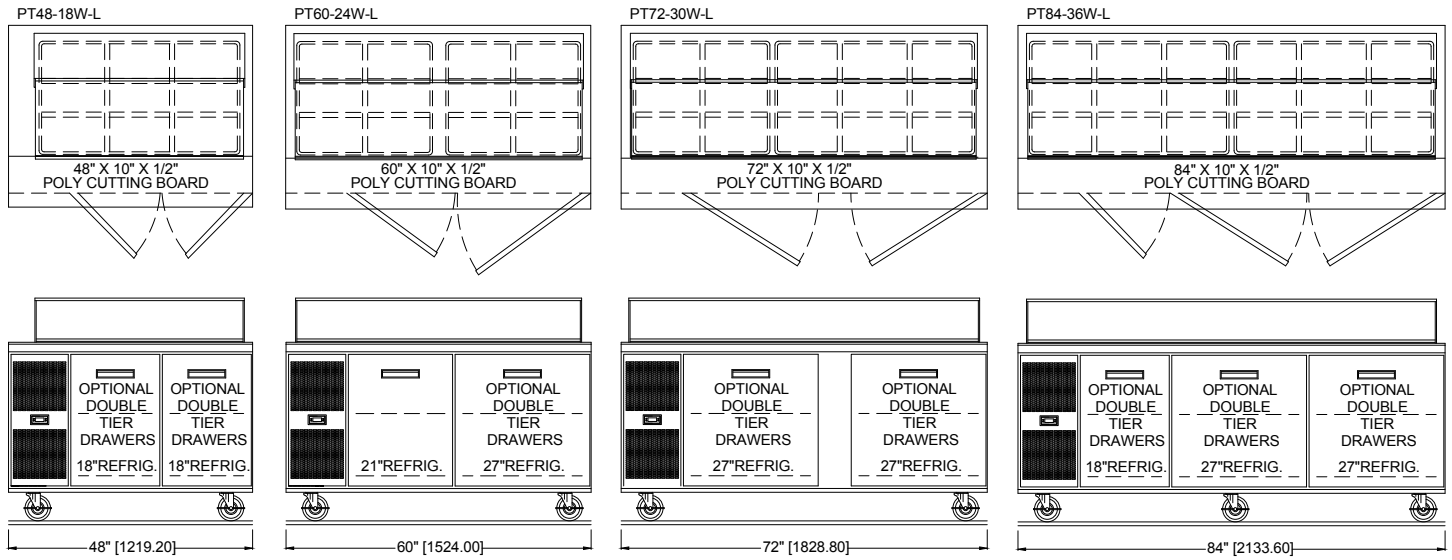
Model PT72-30W-L shown with optional drawers

OPTIONS/ACCESSORIES:

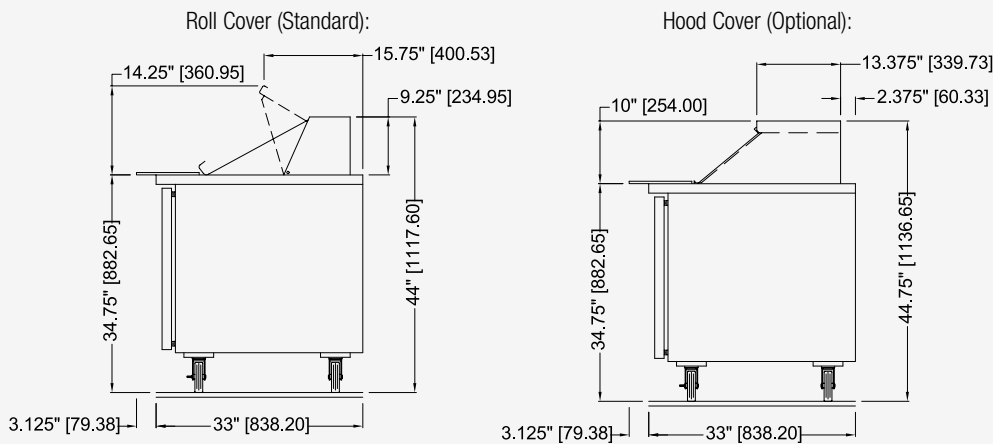
- Two-tier drawers (6" deep pan capacity) available for 18" and 27" sections
- Tray racks for 18"x26" sheet pans (27" door sections only)
- Stainless steel finished back
- 6" adjustable legs
- 4" casters (33" worksurface)
- Richlite cutting board
- Single over-shelf, deck mounted
- Double over-shelf, deck mounted

ADDITIONAL RESOURCES:

- [Request A Quote](#)
- [Sales Tools](#)
- [Find A Rep](#)



MODEL	LENGTH	DEPTH		HEIGHT		PAN CAPACITY 1/6 SIZE	DOORS	STORAGE CU. FT.	HP	VOLT/ CYCLE/ PHASE	AMPS	NEMA PLUG	SHIP WT.
		UNIT	OVERALL WITH CUTTING BOARD	WORK SURFACE	OVERALL COVER OPEN								
PT48-18W-L	48"	33"	36.125"	34.75"	49"	18	(2) 18"	10.1	1/5	115/60/1	3.5	5-15P	411
PT60-24W-L	60"	33"	36.125"	34.75"	49"	24	(1) 21", (1) 27"	14.7	1/4	115/60/1	3.5	5-15P	456
PT72-30W-L	72"	33"	36.125"	34.75"	49"	30	(2) 27"	19.2	1/4	115/60/1	3.5	5-15P	502
PT84-36W-L	84"	33"	36.125"	34.75"	49"	36	(1) 18", (2) 27"	24.15	1/4	115/60/1	3.5	5-15P	565

DIMENSIONAL DETAIL:


DOOR WIDTH	CLEARANCE (LT TO RT)	CLEARANCE (TP TO BTM)	INTERIOR DEPTH BEHIND DOOR
18"	13"	22.25"	26"
21"	16"	22.25"	26"
27"	22"	22.25"	26"

Optional Drawer Pan Capacity:

