

**Pizza Display Cabinet
Models:
PZD-414, PZD-416**



PZD-414

The Roundup® Pizza Display Case merchandiser holds up to four 14" (356 mm) pizzas.

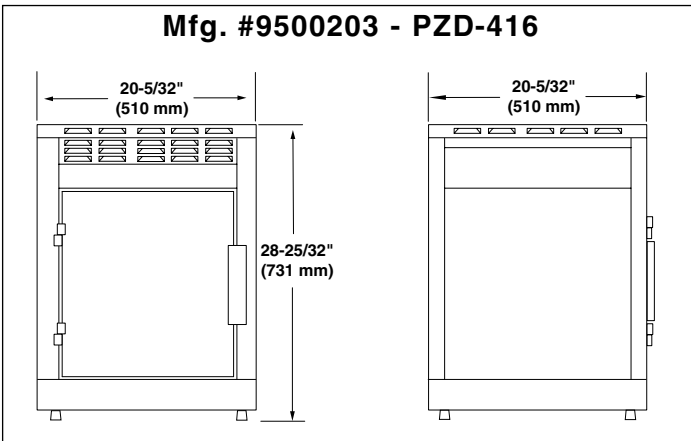
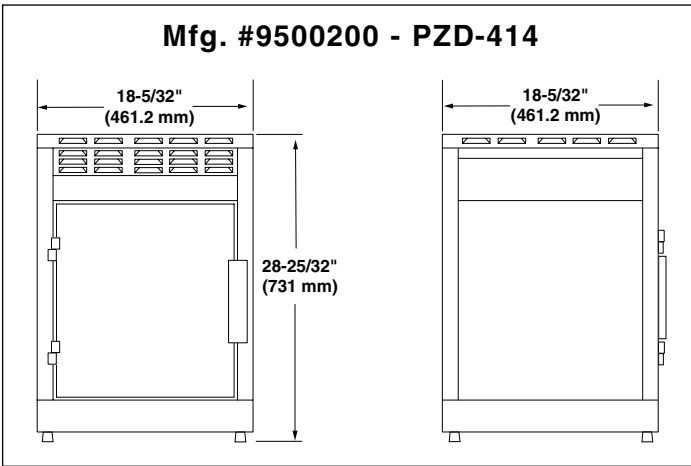
The rotating racks hold standard sized pizza trays for easy display.

Pizzas can be held either whole or sold by the slice.

Features:

- Full View Design
- Colorful Logos and Lights
- Tempered Glass
- Rotating Display of Product
- Stainless Steel Construction for Long Life

Dimensions



Electrical Cord & Plug Configurations

Letter Code*	Description	Configuration
C	Commercial Cord	
H	Harmonized Cord	
T	NEMA 5-15P 15 Amp, 120 VAC	
C	CEE 7/7 Schuko 20 Amp, 250 VAC	

* Used in model designation.

Capacity

PZD-414 unit can hold a maximum of four 14" pizzas.

PZD-416 unit can hold a maximum of four 16" pizzas.

Electrical Ratings

Model	VAC	Watts	Amps	Hz
PZD-414	120V	800	6.7	50/60
PZD-416	120V	950	7.92	50/60

Manufacturing No.	Model	Shipping Weight
9500200	PZD - 414	67 lbs./30 Kg
9500203	PZD - 416	77 lbs./35 Kg