

60" Range with 24" Griddle and 2 Ovens

SPEC SHEET

MODEL#: PRR-6B24G



Ships configured for natural gas

Standard Accessories

- Adjustable bullet legs
- Back riser with shelf
- Two oven racks per oven

Optional Accessories

- Casters

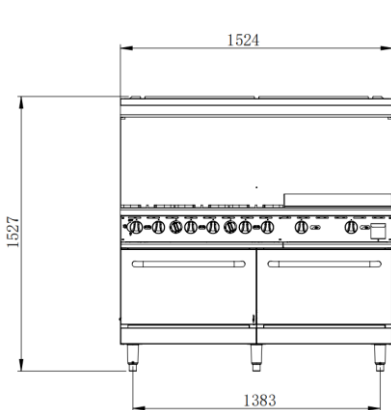
MODEL # PRR-6B24G

Specifications

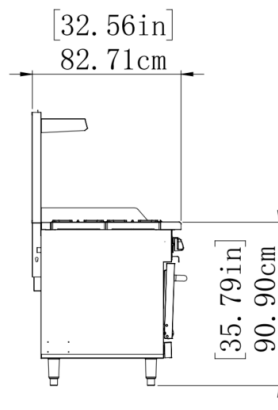
- Stainless steel front and sides
- Galvanized steel back
- Cast iron burners output 30,000 BTU/hour
- Cast iron grates
- Italian SABAF thermostatic gas valve for oven
- Oven temp range: 200°F -550°F
- Manual ignition
- Easy-to-clean enamel oven interior
- Height Adjustable leg
- ETL Safety and ETL Sanitation approved

PRODUCT DIMENSION CHART

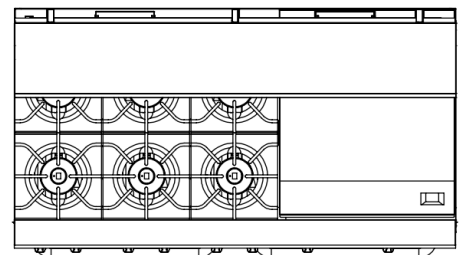
Model: PRR-6B24G



Front View



Side View



Top View

Model	Product Dimension	Heat Power	Heating Burner	Gas Consumption:	Gas inlet Connection	N.W	G.W	Packing dimension
PRR-6B24G	60x32.56x60.35inch 1518x827x1532mm	Burner:30,000 BTUx10 Griddle:20,000x2 BTU Oven:30,000 BTUx2	Burner: 6 Griddle:2 Oven: 2	LPG: 3.1723m3/h NG: 7.365m3/h	3/4" NPT Male	312kg	362kg	1650X1010X1050mm