

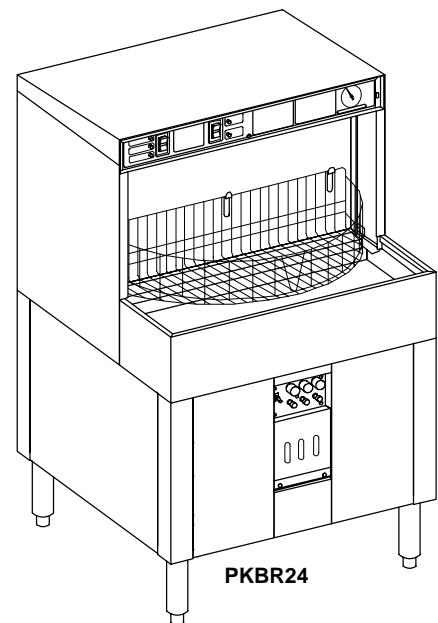
# GLASSWASHERS

## Perlick Features

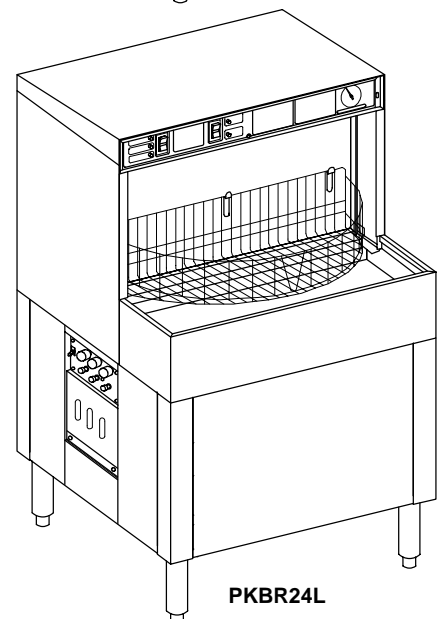
- All stainless steel construction.
- Easy to clean and maintain.
- Convenient top-mounted instrument panel is easy to see and use.
- Upper and lower wash arms with fan-spray nozzles clean glasses inside and out.
- Fill and dump cycle provides clean water for each wash cycle.
- Wash tank heater maintains water temperature between cycles.
- Pitched, vinyl-coated glass racks help drain excess water off glassware and are removable for more efficient glass handling.
- Metal divider separates the load and wash areas eliminating the need for curtains.
- Divider safety switch stops wash cycle when divider is rotated.
- Peristaltic metering pumps with hand adjusted controls dispense detergent, sanitizer, and rinse aid.
- Illuminated sight glasses permit visual inspection of chemical flows during the wash cycle.

## MODEL NOS.

- PKBR24
- PKBR24L
- PKBR24R



PKBR24



PKBR24L



8300 West Good Hope Road • Milwaukee, WI 53223 • Phone 414-353-7060 • Fax 414-353-7069  
Toll Free 800-558-5592 • E-Mail: [Perlick@Perlick.com](mailto:Perlick@Perlick.com) • [www.Perlick.com](http://www.Perlick.com)

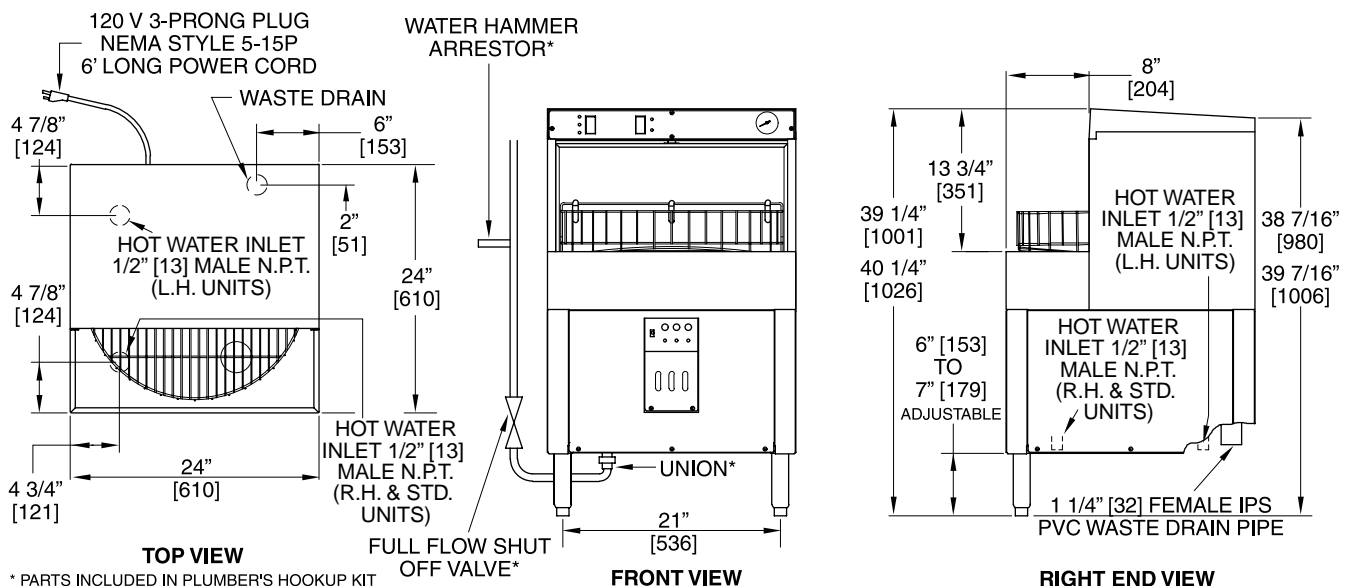
# Sizes and Specifications PKBR24 Glasswashers

Job \_\_\_\_\_  
 Area \_\_\_\_\_  
 Item No. \_\_\_\_\_  
 Model No. \_\_\_\_\_



MODEL NOS.	PKBR24	PKBR24L	PKBR24R
WASH TANK CAPACITY (gals.)	1	1	1
CYCLE TIME (sec.)	120	120	120
WASH TIME (sec.)	60	60	60
SANITIZER TIME (sec.)	35	35	35
GLASSES WASHED PER HR. (2 1/2" dia.)	720	720	720
TANK HEATER (watts)	650	650	650
WASH PUMP CAPACITY (gals./min.)	24	24	24
DRAIN FLOW (gals./cycle)	1.67	1.67	1.67
EXHAUST REQUIREMENT	None	None	None
MAXIMUM GLASS HEIGHT	10"	10"	10"
SHIP WT lbs. (kg)	225 (103)	225 (103)	225 (103)
ELECTRICAL	120 Volt, 60 Hz., single phase AC. 5.4 amps, furnished with 6 foot power cord and standard 3 prong NEMA style 5-15P.		
PLUMBING	<b>Hot Water Inlet Connection:</b> 1/2" NPTM. <b>Incoming Hot Water:</b> 130–140° F, at 30-60 psi with a flow rate of 4.0 gal/min. <b>Drain:</b> 1 1/4 IPS PVC socket connection to include an air gap. <b>Plumbers Hookup Kit:</b> Includes water hammer arrestor, stop valve and union. <b>Important:</b> Failure to install the Glasswasher with Plumbers Hookup Kit can damage the hot water solenoid valve. Machine failure due to improper installation is not covered by Perlick's warranty.		
WATER HARDNESS	Water containing more than 15 GPG will require a water softener. <b>Caution:</b> Parts failure caused by hard water are not covered under Perlick's warranty.		
DETERGENT, SANITIZER and RINSE AID	<b>Detergent:</b> A heavy-duty liquid warewashing detergent containing water conditioners. <b>Chlorine Sanitizer:</b> Any EPA registered chlorine can be used. The EPA marking can be found on the container label. <b>Rinse Aid:</b> A low-foaming warewashing rinse aid containing water conditioners. <b>Note:</b> To ensure maximum glasswasher performance. It is important to select the appropriate detergent and rinse aid for specific water conditions. These chemicals can be purchased from a local chemical supplier or food service distributor.		
OPTIONAL ACCESSORIES	• Low Sanitizer shut down kit - #61945 • Glass Rack - #50470-2		

All plumbing and chemical lines must be routed so that the glasswasher can be pulled out for service.



8300 West Good Hope Road • Milwaukee, WI 53223 • Phone 414-353-7060 • Fax 414-353-7069  
 Toll Free 800-558-5592 • E-Mail: Perlick@Perlick.com • www.Perlick.com

Perlick is committed to continuous improvement.  
 Therefore, we reserve the right to change specifications without prior notice.

Form No. 021497  
 Rev. 03.15.05