



TOP SHELF FULL DEPTH BLENDER STATIONS
TSF Series 12" & 18"W x 24"D

MODEL NUMBERS - TSF12BS, TSF18BS, TSF18BS-RS

JOB	
AREA	
ITEM NO.	
MODEL NO.	

MODELS
TSF12BS
TSF18BS
TSF18BS-RS



TSF12BS



TSF18BS-RS

KEY PRODUCT FEATURES AND BENEFITS

- Sink unit designed with a front mounted blender platform and apron access hole to conveniently plug in the blender in the electrical junction box directly under the platform.
- Drawn, 18 gauge stainless steel sink bowl has a long life span and is dent resistant, even under heavy use.
- Our new, more robust Perlick Quick Clamp leg attachment still features easy tool-less installation, when legs are used.
- Included rinser makes for quick rinsing of a blender cup or glassware (TSF18BS-RS model)

Additional Features:

- All stainless steel construction.
- Optional Perlick Flex Mount leg relocation kit moves rear legs forward for additional space behind the equipment or moves forward legs rearward to help avoid pesky floor drains, available on TSF/TSS units.
- Stainless steel legs with adjustable thermoplastic feet install without tools for freestanding applications.
- Optional NSF-listed commercial-grade hot/cold water faucet stands up to years of use and can be easily serviced from the front.
- Optional side splashes.

Form No. Z2809
 Rev 12.05.23



TOP SHELF FULL DEPTH BLENDER STATIONS
TSF Series 12" & 18"W x 24"D

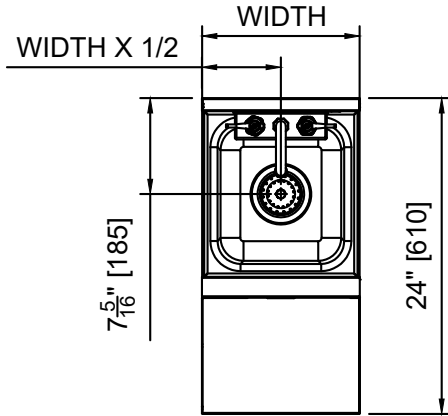
MODEL NUMBERS - TSF12BS, TSF18BS, TSF18BS-RS

MODEL NOS.		TSF12BS	TSF18BS	TSF18BS-RS
DIMENSIONS: EXTERIOR	Width In. (mm)	12" (305)	18" (457)	18" (457)
	Weight lb. (kg)	45 lbs. (20 kg)	60 lbs. (27 kg)	65 lbs. (29 kg)
PERLICK BAR EQUIPMENT	Construction	Stainless steel. Shelf includes access hole for plug-in cord.		
	Top & Deck	18 gauge stainless steel		
	Front & Back	Seamless 18 gauge stainless steel		
	Backsplash	Stainless steel 6" high (4" high optional) with 1" return at top, mechanically fastened and sealed.		
	Legs	1-5/8" tubular, stainless steel with 1" adjustable thermoplastic foot.		
	Bowl	Drawn, 18 gauge stainless steel. All horizontal and vertical edges 1-1/2" radius with balled corners. Furnished with 1-1/2" stainless steel drain socket. 10-5/8" x 9-5/8" x 6" deep.	Drawn, 18 gauge stainless steel. All horizontal and vertical edges 1-1/2" radius with balled corners. Furnished with 1-1/2" stainless steel drain socket. 10" x 14" x 9-1/4" deep.	Drawn, 18 gauge stainless steel. All horizontal and vertical edges 1-1/2" radius with balled corners. Furnished with 1-1/2" stainless steel drain socket. 10-5/8" x 9-5/8" x 6" deep.
	Water Faucet	Chrome plated, hot and cold, goose-neck faucet. Heavy-duty all brass construction. Faucets must be ordered separately.		
PLUMBING	Drain Connection	1-1/2" NPS Male.		
	Water Connection	1/2" IPS shanks and nuts. 18" braided water supply lines.		
ELECTRIC	Outlet	Junction box included and installed, does not include the electrical outlet.		
ACCESSORIES (PARTIAL LIST)		Wrist blades, touchless faucet, splash guards, Perlick Flex Mount leg relocation kit (TSF Series)		

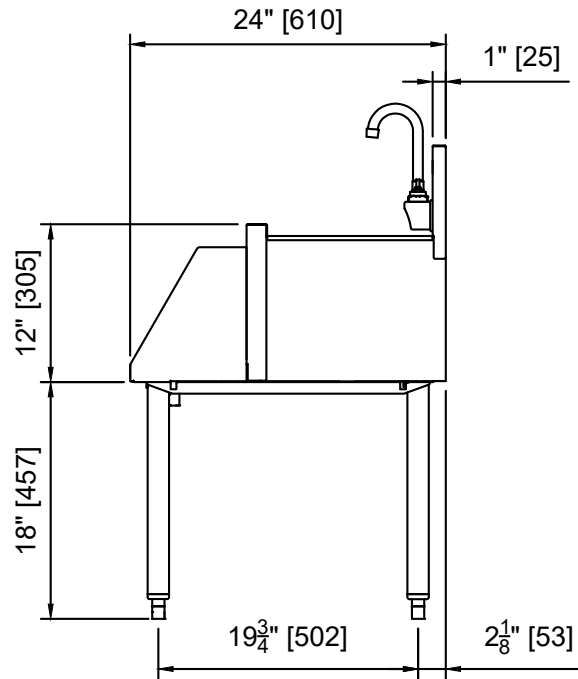
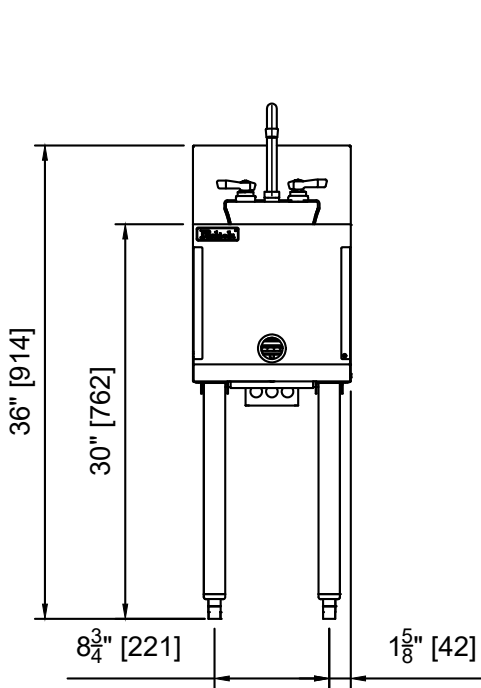


TOP SHELF FULL DEPTH BLENDER STATIONS
TSF Series 12" & 18"W x 24"D

MODEL NUMBERS - TSF12BS, TSF18BS, TSF18BS-RS



TSF12BS

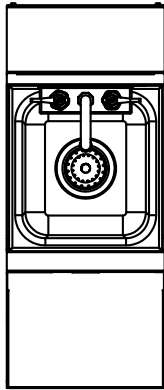


Shown with optional faucet. Must be ordered separately.

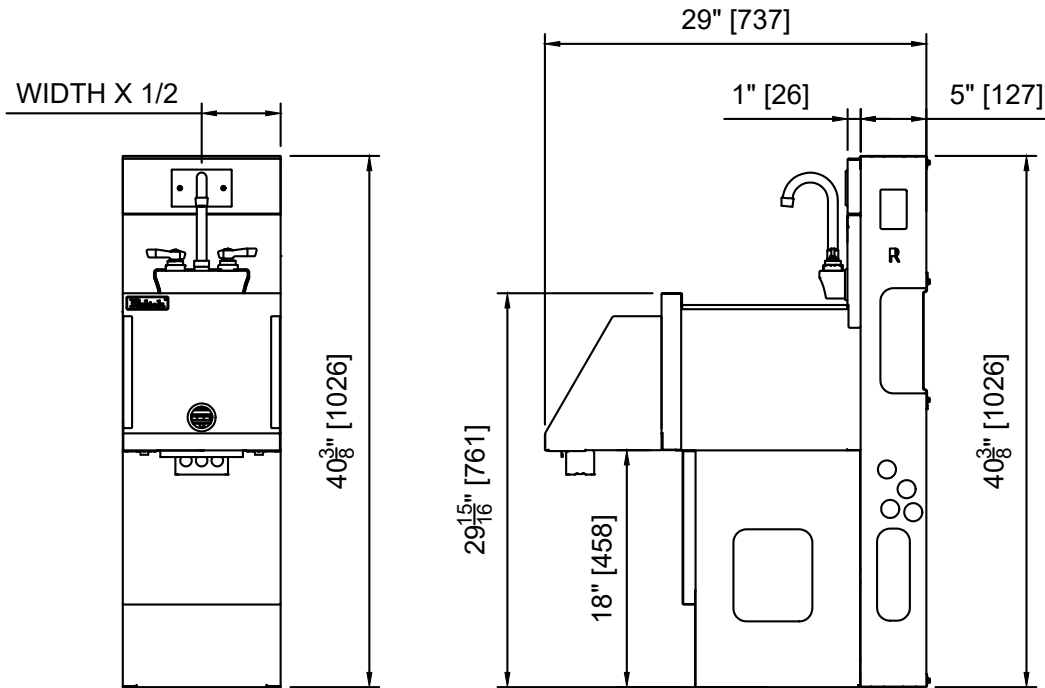
Form No. Z2809
 Rev 12.05.23



TOP SHELF FULL DEPTH BLENDER STATIONS
TSF Series 12" & 18"W x 24"D



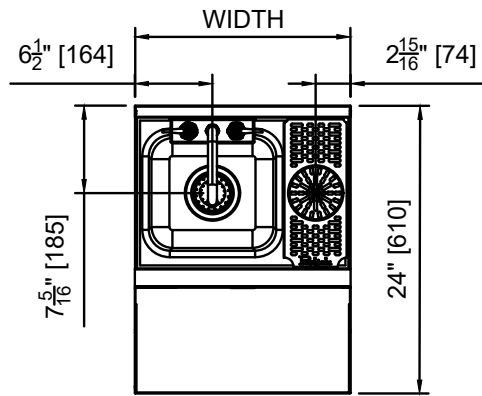
TSF12BS



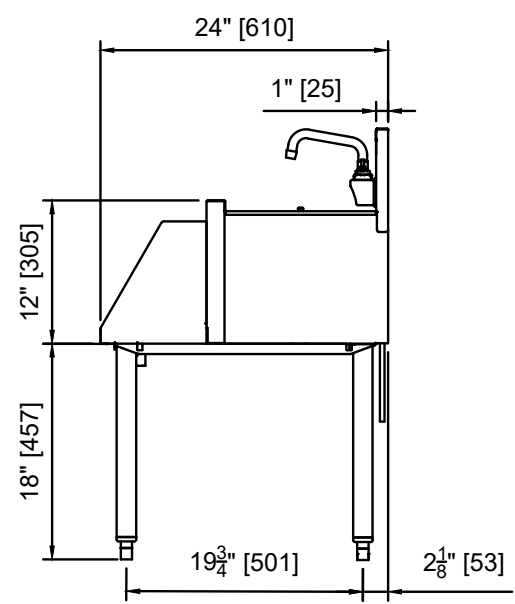
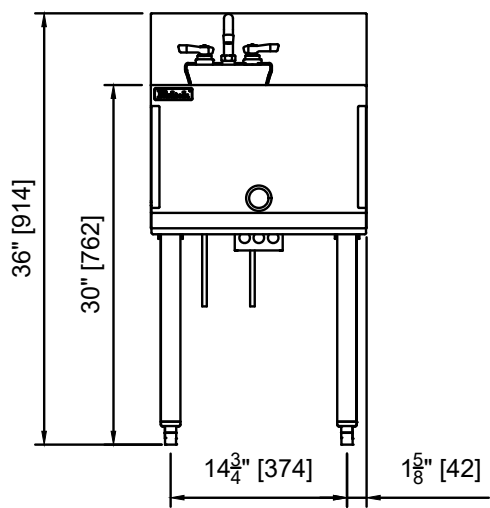
Shown with optional faucet. Must be ordered separately.

Form No. Z2809
 Rev 12.05.23

Perlick® TOP SHELF FULL DEPTH BLENDER STATIONS
 TSF Series 12" & 18"W x 24"D



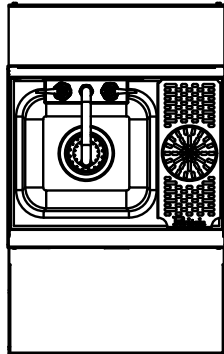
TSF18BS-RS



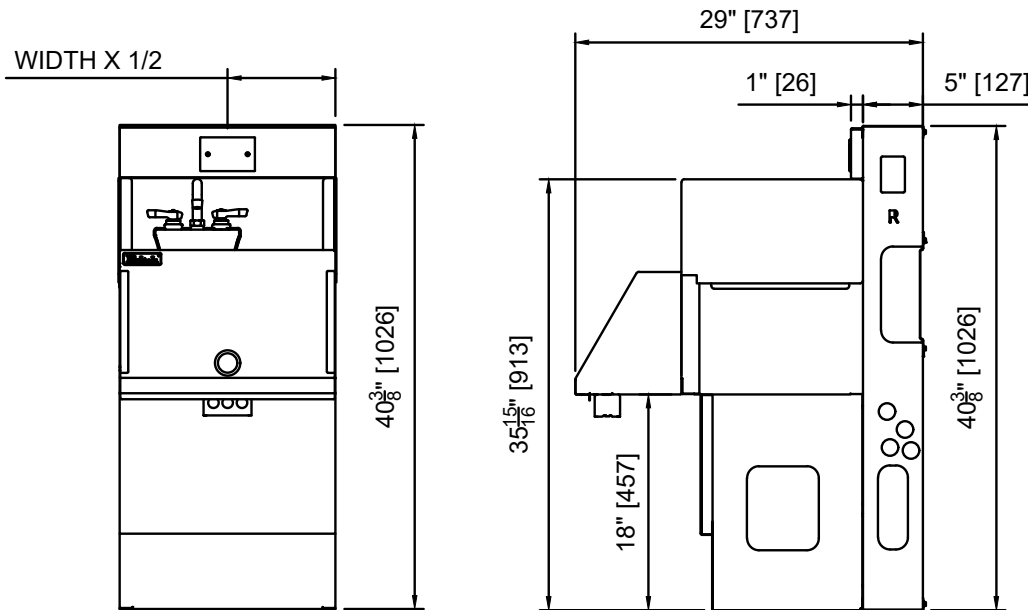
Shown with optional faucet. Must be ordered separately.



TOP SHELF FULL DEPTH BLENDER STATIONS
TSF Series 12" & 18"W x 24"D



TSF18BS-RS



Shown with optional faucet. Must be ordered separately.

Form No. Z2809
Rev 12.05.23