

For Foodservice Applications

Job Name _____

Contractor _____

Job Location _____

Approval _____

Engineer _____

Contractor's P.O. No. _____

Approval _____

Representative _____

LEAD FREE*

Hydro-Safe®

Series QT™ Steam Max™ Steam and Combi Oven Filtration Systems

Flow Rate: 1.5 to 4.5 GPM (5.7 to 17 LPM)

Hydro-Safe® QT Steam Max systems have been specifically engineered to address and correct multiple common water related problems both efficiently and economically. It is designed for foodservice applications for the treatment of steamers, combi ovens and specific ice machines. Different configurations have been developed to address unique water treatment needs. Utilizing multiple treatment technologies, from poly spun sediment and high capacity carbon block for de-chlorination to phosphate or OneFlow® media for scale control, this Steam Max line has the solution for your steam cooking water treatment needs. Filter cartridge replacement is quick, easy, and sanitary because of the encapsulated design. The Hydro-Safe QT Steam Max features Lead Free* construction to comply with Lead Free* installation requirements.

Applications

- Steamers
- Combi Ovens
- Ice Machines

Features

- Simple filter replacement using QT cartridges
- Reduces scale build-up
- Reduces sediment, chlorine taste and odor
- Reduces maintenance and system downtime
- Increases kitchen equipment life, performance and quality
- In/Out valves allow for easy filter service
- Pressure Gauges and flush kit included
- Easy to install

System Specifications

Maximum Pressure:

QT Steam Max Models-

QTSTMMAX-2S-10M, QTSTMMAX-3S-10M, QTSTMMAX-2S-1M, QTSTMMAX-2L-10M, QTSTMMAX-3L-10M, QTSTMMAX-4L-10M, QTSTMMAX-2L-1M, QTSTMMAX-2L-1M-P, QTSTMMAX-3L-1M-P, QTSTMMAX-4L-1M-P: 100psi (6.8 bar)

QT Steam Max Models-

QTSTMMAX-3S-1M, QTSTMMAX-3L-1M, QTSTMMAX-4L-1M: 90psi (6.2 bar)

Minimum Pressure: 20 psi/1.4 bar



QTSTMMAX-4L-10M



QT Steam Max Systems have been tested and certified according to NSF/ANSI 42 for reduction of the substances listed below. The concentration of the indicated substances in water entering the system was reduced to a concentration less than or equal to the permissible limit for water leaving the system, as specified in NSF/ANSI 42. These systems have been tested and certified according to NSF/ANSI Standard 372 for "lead free" compliance.

⚠ WARNING

Do not use with water that is microbiologically unsafe or of unknown quality without adequate disinfection before or after the system.

*The wetted surface of this product contacted by consumable water contains less than 0.25% of lead by weight.

Watts product specifications in U.S. customary units and metric are approximate and are provided for reference only. For precise measurements, please contact Watts Technical Service. Watts reserves the right to change or modify product design, construction, specifications, or materials without prior notice and without incurring any obligation to make such changes and modifications on Watts products previously or subsequently sold. Refer to the owner's manual for warranty information.

WATTS®

Maximum Temperature: 100°F/38°C

Minimum Temperature: 40°F/4.4°C

Feed Water Quality: pH 6.5 to 8.5

Hardness (maximum for systems containing OneFlow) 75 grains (1282 ppm CaCO₃)

Chlorine < 2ppm

Iron (maximum) 0.3 mg/l

Manganese (maximum) 0.05 mg/l

Copper (for systems containing OneFlow) - None allowed

Oil & H₂S- None allowed

Polyphosphate (for systems containing OneFlow) - None allowed

Silica (maximum for systems containing OneFlow) 10 ppm

For all other feed water quality requirements abide by the current USEPA Safe Drinking Water Act standards.

** Steam Max models that contain OneFlow® Media:

QTSTMMAX-2S-1M, QTSTMMAX-3S-1M, QTSTMMAX-2L-1M, QTSTMMAX-3L-1M, QTSTMMAX-4L-1M

System Model	Max Flow Rate	Chlorine Capacity*	Connection Size	Reduces			
				Sediment	Chlorine*	Scale	Chloramine
QTSTMMAX-2S-10M	1.5 GPM (5.7 LPM)	15,000 Gallons	1/2" (15mm) NPT	✓	✓	✓	✓
QTSTMMAX-3S-10M	3 GPM (11.4 LPM)	30,000 Gallons	1/2" (15mm) NPT	✓	✓	✓	✓
QTSTMMAX-2S-1M	1.5 GPM (5.7 LPM)	15,000 Gallons	1/2" (15mm) NPT	✓	✓	✓	✓
QTSTMMAX-3S-1M	3 GPM (11.4 LPM)	30,000 Gallons	1/2" (15mm) NPT	✓	✓	✓	✓
QTSTMMAX-2L-10M	1.5 GPM (5.7 LPM)	22,000 Gallons	1/2" (15mm) NPT	✓	✓	✓	✓
QTSTMMAX-3L-10M	3 GPM (11.4 LPM)	44,000 Gallons	1/2" (15mm) NPT	✓	✓	✓	✓
QTSTMMAX-4L-10M	4.5 GPM (17.1 LPM)	66,000 Gallons	1/2" (15mm) NPT	✓	✓	✓	✓
QTSTMMAX-2L-1M	1.5 GPM (5.7 LPM)	22,000 Gallons	1/2" (15mm) NPT	✓	✓	✓	✓
QTSTMMAX-3L-1M	3 GPM (11.4 LPM)	44,000 Gallons	1/2" (15mm) NPT	✓	✓	✓	✓
QTSTMMAX-4L-1M	4.5 GPM (17.1 LPM)	66,000 Gallons	1/2" (15mm) NPT	✓	✓	✓	✓
QTSTMMAX-2L-1M-P	1.5 GPM (5.7 LPM)	22,000 Gallons	1/2" (15mm) NPT	✓	✓	✓	✓
QTSTMMAX-3L-1M-P	3 GPM (11.4 LPM)	44,000 Gallons	1/2" (15mm) NPT	✓	✓	✓	✓
QTSTMMAX-4L-1M-P	4.5 GPM (17.1 LPM)	66,000 Gallons	1/2" (15mm) NPT	✓	✓	✓	✓

*Chlorine capacity and chlorine reduction was Tested and Certified by WQA against NSF/ANSI standard 42. Testing was conducted with water having an influent challenge concentration of 2.0 mg/L (± 10%) free chlorine and an effluent reduction requirement of equal to or greater than 50%. Testing was performed under standard laboratory conditions, actual performance may vary. Other contaminant reduction claims are non certified.

OneFlow® Application Practices

Note: Systems using OneFlow technology prevent hard water scale formation inside the plumbing system at influent hardness levels of 75 grains per gallon of calcium carbonate and less. Due to variances in water chemistry certain aesthetic conditions external of the plumbing system may not be attained. OneFlow is designed for the treatment of potable water that meets the requirements of the current USEPA Safe Drinking Water Act. The addition of soaps, chemicals, or cleaners, before or after OneFlow treatment, may reverse its anti-scale treatment effects and/or create water with a heavy residue or spotting potential. Any adverse conditions caused by the addition of soaps, chemicals, or cleaners are the sole responsibility of the end user. New copper lines need to be passivated before placing unit into service. Copper usually originates from new copper plumbing upstream of the OneFlow system. All new copper plumbing before the system should be allowed to passivate by operating under normal conditions for a period of 4 weeks prior to starting the system up. This will allow the copper surfaces to be fully flushed and develop a natural protective surface. To further minimize any problem with excess copper, avoid applying excess flux on the inner surfaces of the pipe and use a low-corrosivity water soluble flux listed under the ASTM B813 standard. OneFlow is not designed for use on closed loop systems.

Filter Cartridge Life Span

Filter cartridges should be changed at end of filter life, due to lack of filtering performance, or whenever a 15psi pressure drop or greater is experienced during normal operation, whichever comes first.

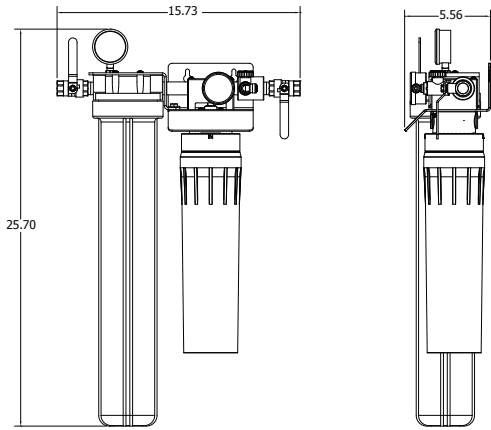
Replacement Filters

System Replacement Filters			
System Model	Filter Ordering Code	Frequency	Description
QTSTMMAX-2S-10M	HSR-L-SED-5M	6 Months	20" 5 Micron Sediment Pre Filter
	QTSM15	6 Months	15" QT 1 Micron Carbon Block with Phosphate Scale Control
QTSTMMAX-3S-10M	HSR-L-SED-5M	6 Months	20" 5 Micron Sediment Pre Filter
	QTSM15	6 Months	15" QT 1 Micron Carbon Block with Phosphate Scale Control (2)
QTSTMMAX-2S-1M	HSR-L-SED-5M	6 Months	20" 5 Micron Sediment Pre Filter
	QTSMX15	6 Months	15" QT 1 Micron Carbon Block
	DOR-OF120RM	12 Months	20" OneFlow Anti-Scale Cartridge
QTSTMMAX-3S-1M	HSR-L-SED-5M	6 Months	20" 5 Micron Sediment Pre Filter
	QTSMX15	6 Months	15" QT 1 Micron Carbon Block (2)
	DOR-OF140RM	12 Months	20" OneFlow Anti-Scale Cartridge
QTSTMMAX-2L-10M	HSR-L-SED-5M	6 Months	20" 5 Micron Sediment Pre Filter
	QTSM20	6 Months	20" QT 1 Micron Carbon Block with Phosphate Scale Control
QTSTMMAX-3L-10M	HSR-L-SED-5M	6 Months	20" 5 Micron Sediment Pre Filter
	QTSM20	6 Months	20" QT 1 Micron Carbon Block with Phosphate Scale Control (2)
QTSTMMAX-4L-10M	HSR-L-SED-5M	6 Months	20" 5 Micron Sediment Pre Filter
	QTSM20	6 Months	20" QT 1 Micron Carbon Block with Phosphate Scale Control (3)
QTSTMMAX-2L-1M	HSR-L-SED-5M	6 Months	20" 5 Micron Sediment Pre Filter
	QTSMX20	6 Months	20" QT 0.5 Micron Carbon Block
	DOR-OF120RM	12 Months	20" OneFlow Anti-Scale Cartridge
QTSTMMAX-3L-1M	HSR-L-SED-5M	6 Months	20" 5 Micron Sediment Pre Filter
	QTSMX20	6 Months	20" QT 0.5 Micron Carbon Block (2)
	DOR-OF140RM	12 Months	20" OneFlow Anti-Scale Cartridge
QTSTMMAX-4L-1M	HSR-L-SED-5M	6 Months	20" 5 Micron Sediment Pre Filter
	QTSMX20	6 Months	20" QT 0.5 Micron Carbon Block (3)
	OFTWHRM	12 Months	20" OneFlow Anti-Scale Cartridge
QTSTMMAX-2L-1M-P	HSR-L-SED-5M	6 Months	20" 5 Micron Sediment Pre Filter
	QTSMX20	6 Months	20" QT 0.5 Micron Carbon Block
	STMAXR-S-ACSC	6 Months	10" Phosphate Scale Control
QTSTMMAX-3L-1M-P	HSR-L-SED-5M	6 Months	20" 5 Micron Sediment Pre Filter
	QTSMX20	6 Months	20" QT 0.5 Micron Carbon Block (2)
	STMAXR-S-ACSC	6 Months	10" Phosphate Scale Control
QTSTMMAX-4L-1M-P	HSR-L-SED-5M	6 Months	20" 5 Micron Sediment Pre Filter
	QTSMX20	6 Months	20" QT 0.5 Micron Carbon Block (3)
	STMAXR-S-ACSC	6 Months	10" Phosphate Scale Control

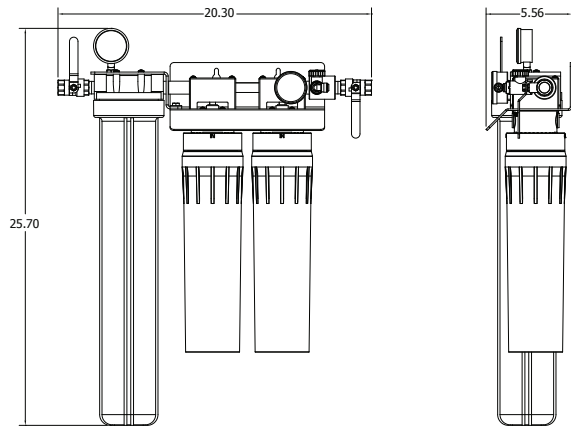
NOTICE

Cartridge capacities are estimates and may be less depending on incoming water quality. Once installed, flush new cartridges for 5 minutes prior to use for proper conditioning.

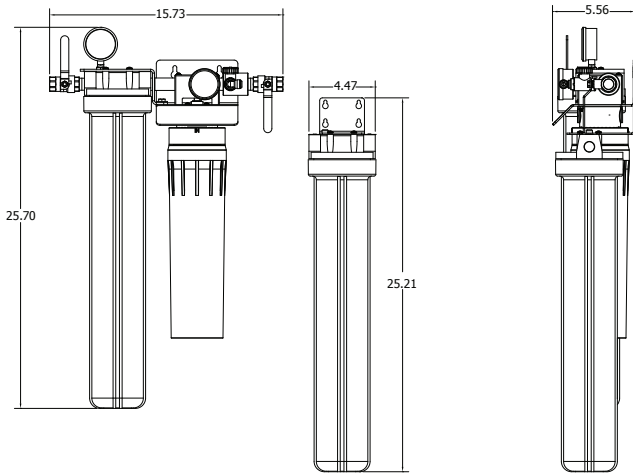
QTSTMMAX-2S-10M



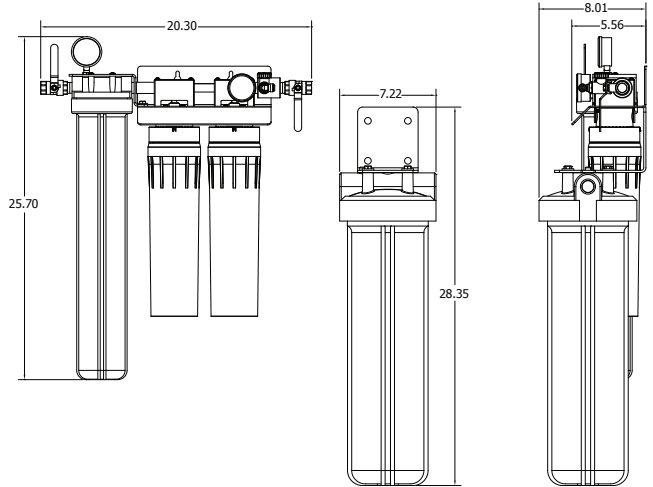
QTSTMMAX-3S-10M



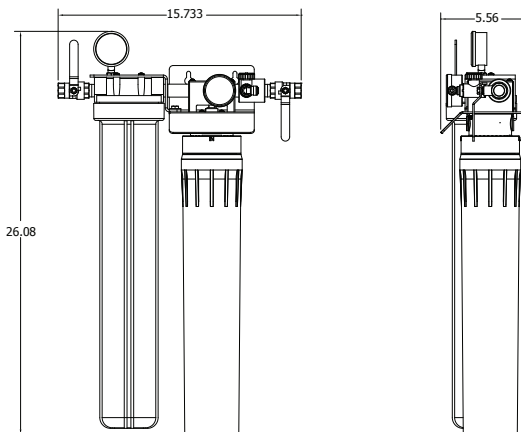
QTSTMMAX-2S-1M



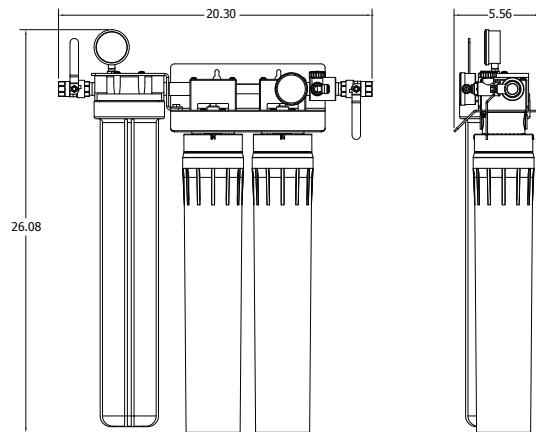
QTSTMMAX-3S-1M



QTSTMMAX-2L-10M

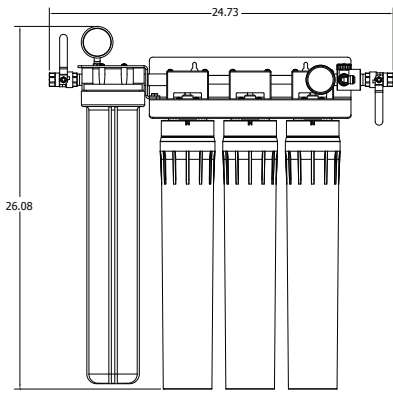


QTSTMMAX-3L-10M

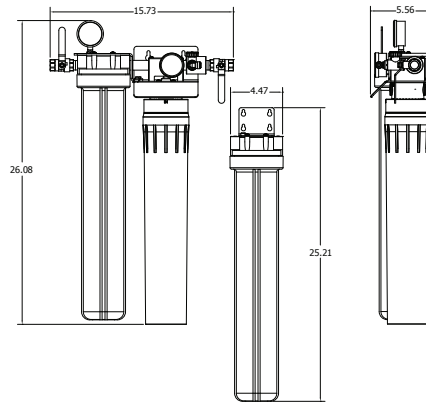


Note: Allow 3" of clearance at bottom of system for removal of filter bowls for filter cartridge replacement

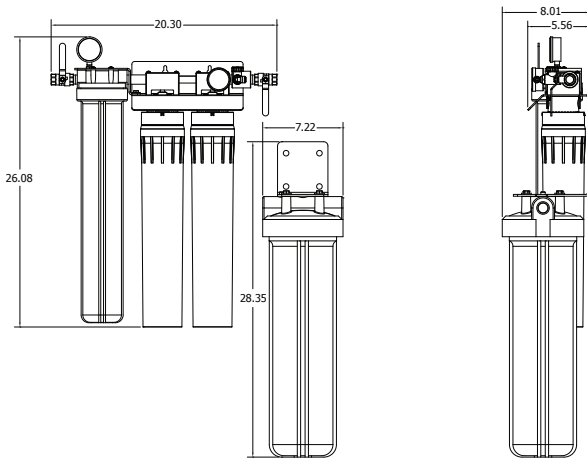
QTSTMMAX-4L-10M



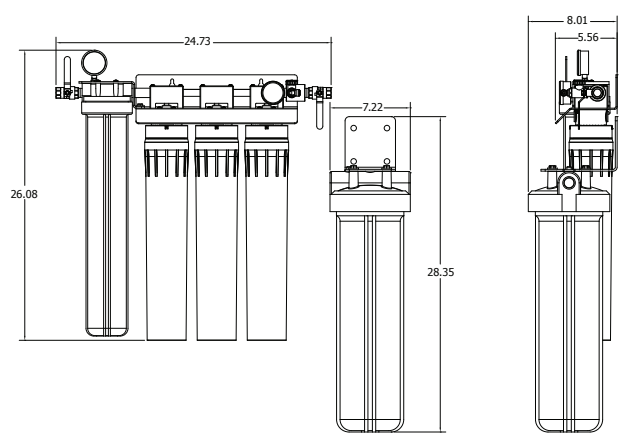
QTSTMMAX-2L-1M



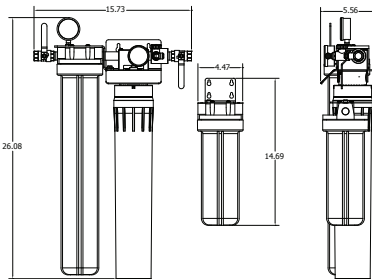
QTSTMMAX-3L-1M



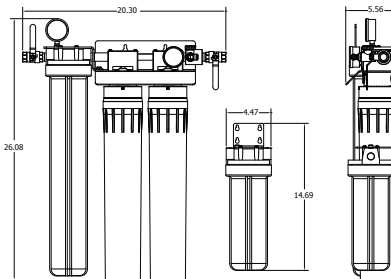
QTSTMMAX-4L-1M



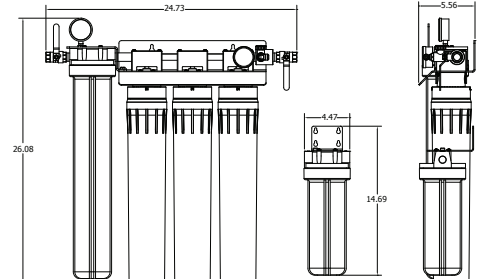
QTSTMMAX-2L-1M-P



QTSTMMAX-3L-1M-P



QTSTMMAX-4L-1M-P



Note: Allow 3" of clearance at bottom of system for removal of filter bowls for filter cartridge replacement



A Watts Water Technologies Company



Tel: (800) 264-1183 • Fax: (724) 733-4808 • foodservice.watts.com