



Open Base Flat Top Work Table

Stainless Steel Work Tables



Use your smart phone to scan the above QR code to visit our website:
www.bk-resources.com

Certifications:



Features:

- 1 5/8" Stainless Steel Legs
- Legs Adjust 1" in Height
- Ships KD
- Two Sound Deadened Integrally Welded 5" C Channels to Reinforce & Maintain Level Working Surface
- 96" Tables Have 6 Legs

Options:

- Single & Double Overshelves
- Drawer Assemblies
- Casters
- Adjustable Table Mount Pot Rack

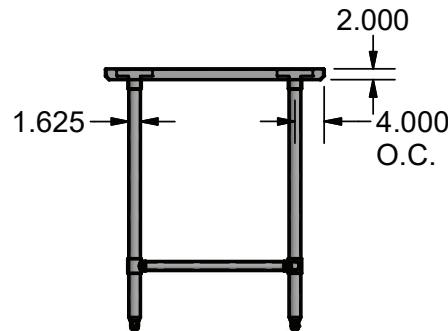
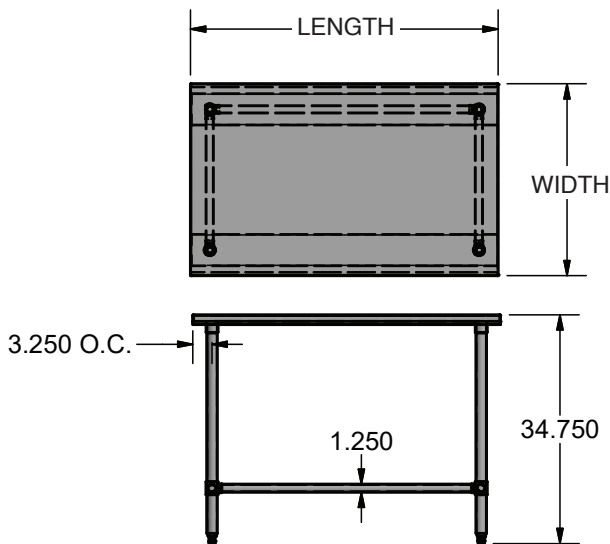


Material:

- T-304 14 ga. Stainless Steel Top
- Stainless Steel Legs & Bracing
- 1 1/4" Adjustable Stainless Steel Feet
- Capacity: 1,200 lbs Evenly Distributed

Part #	Length	Width
QVTOB-1824	24"	18"
QVTOB-1830	30"	18"
QVTOB-1836	36"	18"
QVTOB-1848	48"	18"
QVTOB-1860	60"	18"
QVTOB-1872	72"	18"
QVTOB-1896	96"	18"
QVTOB-2424	24"	24"
QVTOB-3024	30"	24"
QVTOB-3624	36"	24"

Part #	Length	Width
QVTOB-4824	48"	24"
QVTOB-6024	60"	24"
QVTOB-7224	72"	24"
QVTOB-9624	96"	24"
QVTOB-3030	30"	30"
QVTOB-3630	36"	30"
QVTOB-4830	48"	30"
QVTOB-6030	60"	30"
QVTOB-7230	72"	30"
QVTOB-9630	96"	30"



1.250 Adjustable Stainless Steel Feet

PRODUCT DATA SHEET

BK RESOURCES

