



5" Riser Tables

Stainless Steel Riser Tables



Use your smart phone to scan the above QR code to visit our website:
www.bk-resources.com

Certifications:



Features:

- Two (2) Sound Deadened Integrally Welded 5" "C" Channels to Reinforce and Maintain Level Working Surface
- Legs 1 5/8" Diameter
- 5" Riser
- 84" & 96" Have 6 Legs

Options:

- Single & Double Overshelves
- Drawer Assemblies
- Casters
- Upgraded Bullet Feet
- Extra Shelves
- Adjustable Table Mount Pot Rack

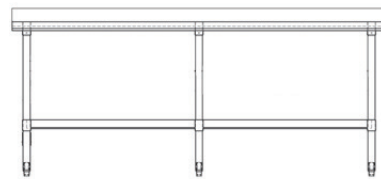
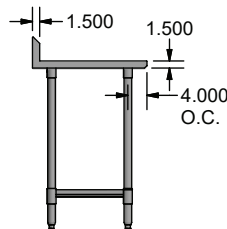
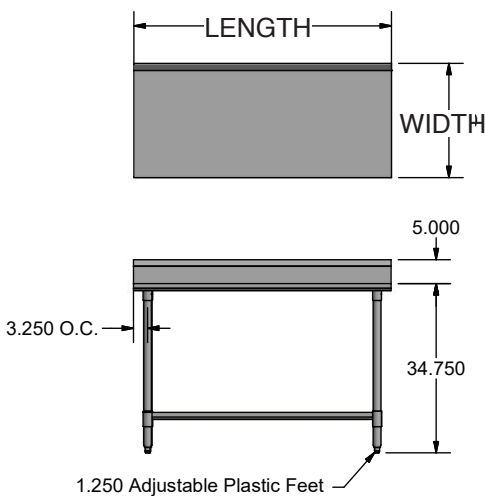


Material:

QVTR5 Series: S/S w/ Stainless Steel Legs & Undershelf

- T-304 14 ga. Stainless Steel Top
- Stainless Steel Legs & Adjustable Undershelf
- 1 1/4" Adjustable Stainless Steel Feet

Part #	Length	Width
QVTR5-8424	84"	24"
QVTR5-3630	36"	30"
QVTR5-4830	48"	30"
QVTR5-6030	60"	30"
QVTR5-7230	72"	30"
QVTR5-8430	84"	30"
QVTR5-9630	96"	30"



TABLES 7 FT. AND LARGER ARE FURNISHED WITH SIX (6) LEGS

PRODUCT DATA SHEET

BK RESOURCES

