

\* Remote condenser shown with optional guard

## Features

- Lightweight construction and an aluminum coil help reduce weight by nearly 20% compared to previous models.
- Condenser fits through a standard 30" x 36" roof hatch for ease of installation.
- Easy assembly and installation with innovative legs.
- More efficient motor reduces energy usage by 25% - 50%.
- Environmentally responsible – all remote condensers use R404A, an approved non-ozone depleting refrigerant.
- Constructed from sturdy, corrosion-resistant galvanized steel.
- Reduces air conditioning requirements and cost.
- Fan is located outside, ensuring quiet operation for customers.

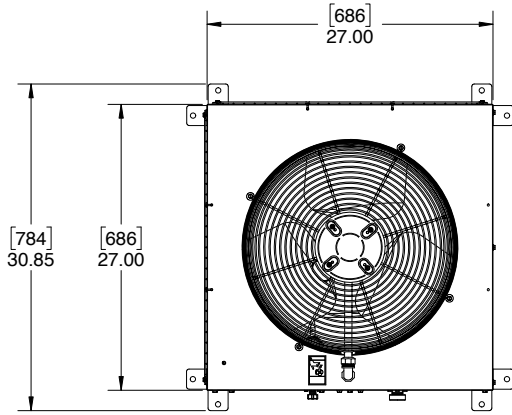
## Required Accessories

Model Number	Description	Shipping Weight lbs (kg)
RT-325-4O4	25 ft (7.6 m) Precharged Tubing Kit for R404A Models	13 (6)
RT-340-4O4	40 ft (12.0 m) Precharged Tubing Kit for R404A Models	18 (8)
RT-375-4O4	75 ft (22.9 m) Precharged Tubing Kit for R404A Models	36 (16)
1051222-01	Optional Grill Guard Kit for RCA-1001, RCA-1061, RGA-1001-HM and RGA-1061-HM	8 (3.6)
1051222-02	Optional Grill Guard Kit for RCA-2061 and RCA-3561	12 (5.4)
1051222-03	Optional Grill Guard Kit for RCA-3061	10 (4.5)

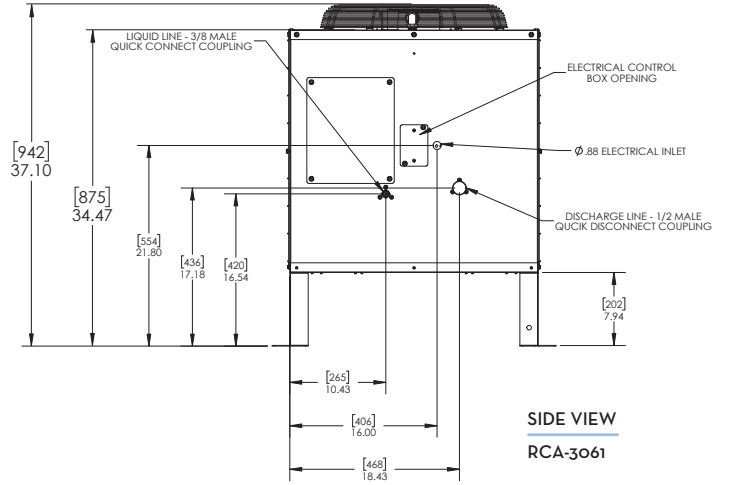
## Specifications

Model Number	Description	Voltage Characteristics	Fan Watts	Shipping Weight lbs (kg)	*Circuit Breaker
RCA1001	Remote Condenser for model CIMO53OR	115/60/1	93.2	97 (44)	15 amps
RCA1061	Remote Condenser for model CIMO636R	208-230/50-60/1			
RCA2061	Remote Condenser for models ICE1506R, CIMO825R, CIMO826R, CIMO835R, CIMO836R, CIM1125R, CIM1126R, CIM1135R, CIM1136R, CIM1137R			111 (50)	20 amps
RCA3061	Remote Condenser for models ICE1806R, CIM1446R, CIM1545R			119 (54)	
RCA3561	Remote Condenser for models CIM1845R, CIM2046R			115 (52)	
RGA0501-HM	Remote Condenser for models GEMO65OR, MFIO8OOR			115/60/1	97 (44)
RGA1061-HM	Remote Condenser for models GEMO956R, GEM1306R, MFI1506R, MFI1256R	208-230/50-60/1			

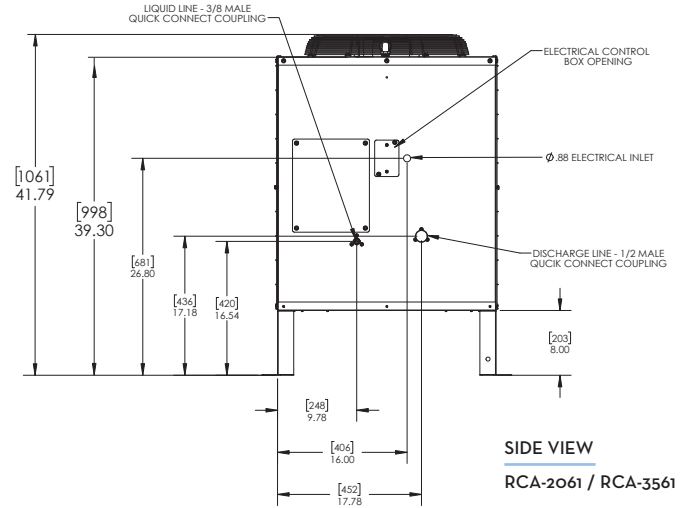
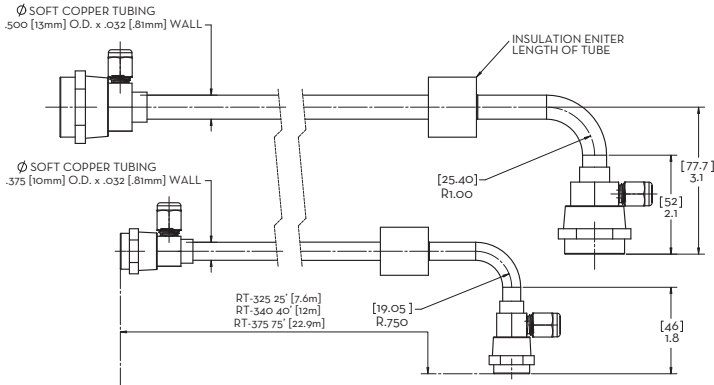
\* If on separate circuit from ice machine head.



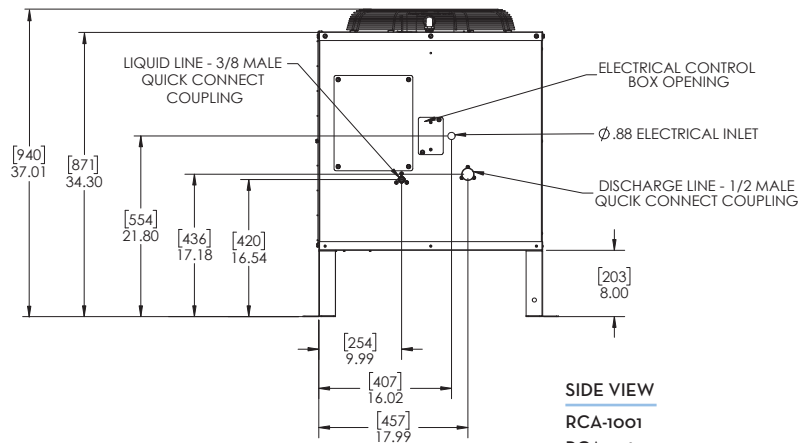
**TOP VIEW**  
ALL MODELS



**SIDE VIEW**  
RCA-3061



**SIDE VIEW**  
RCA-2061 / RCA-3561



**SIDE VIEW**  
RCA-1001  
RCA-1061  
RGA-1001-HM  
RGA-1061-HM

NOTES:  
Number of Wires: 3 (including ground)  
Refrigerant Type: R404A