

Project \_\_\_\_\_  
 Item \_\_\_\_\_  
 Quantity \_\_\_\_\_  
 CSI Section 11400  
 Approved \_\_\_\_\_  
 Date \_\_\_\_\_

# RNP0320

## NUGGET ICE MACHINE

RNP0320 Nugget Ice Machine

### Models

- RNP0320A



RNP0320A Nugget Ice Machine on Multiplex SV-250 Dispenser

Model RNP0320A Nugget Ice Machine on D-420 Bin

### Standard Features

- Bite sized nugget with 85% ice content offers one of the best ice to water ratios for maximum cooling and minimal drink dilution
- Up to 300 lbs (136 kg) of daily ice production
- Perfect for beverage applications, dispensing, smoothies, and cold therapy
- Can be paired with any Multiplex beverage dispenser for an unbeatable soft drink experience
- High load maintenance free bearings for enhanced reliability
- R290 Refrigerant is environmentally friendly with less ozone depletion compared to R404



### Specifications

**BTU per hour:**  
7,511 (average)

**Compressor:**  
Nominal rating: 3/4 HP

**Refrigerant:**  
R290

**Operating Limits:**

- Ambient Temperature Range: 50° -110° F (10° -43° C)
- Water Temperature Range: 37° -90° F (3° -32° C)
- Water Pressure Ice Maker Water In:  
Min. 14 psi (96.5 kPa)  
Max. 80 psi (551.1 kPa)

### Ice Machine Electric

115/60/1 standard. (230/50/1 also available.)

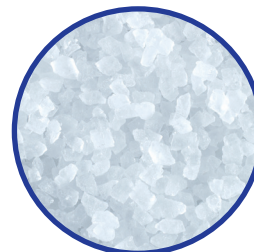
**Minimum circuit ampacity:**  
7.5 amps.

**Maximum fuse size:**  
15 amps.

HACR-type circuit breakers can be used in place of fuses.

### Ice Shape

Nugget ice consists of small pieces ranging from 3/8" to 1/2" in width and length on average. Offers a 85% ice to water ratio with a soft, chewable texture while still providing maximum cooling effect and great dispensibility.



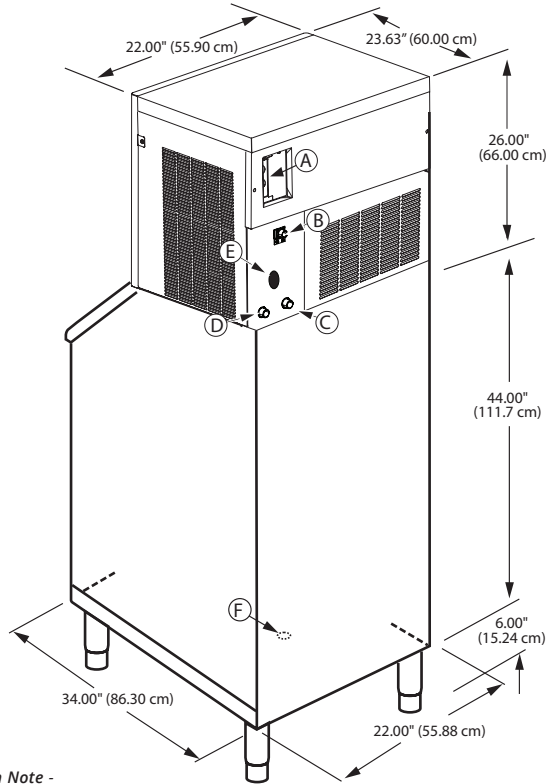
Ice shown actual size





RNP0320 Nugget Ice Machine

RNP0320 on D-420



**Installation Note -**  
 Minimum installation clearance:  
 Top/sides: 8" (20.32 cm),  
 Back: 5" (12.70 cm).

**Dispenser Note -**  
 Verify with the dispenser  
 manufacturer that the correct  
 agitator and deflector kit for  
 nugget ice dispensing is included  
 with your dispenser purchase. Use  
 9" Discharge Tube for dispenser  
 applications (ships standard with  
 the ice machine).

Space-Saving Designs



RNP0320A on D-420

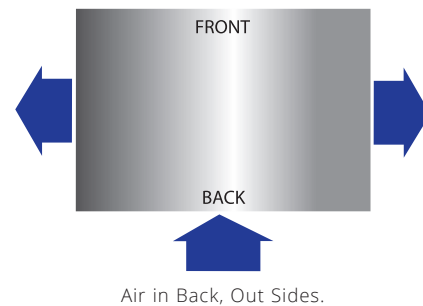
|             |           |
|-------------|-----------|
| Height      | 76.00"    |
| Width       | 193.00 cm |
| Depth       | 22.00"    |
| Bin Storage | 310 lbs   |
|             | 140.7 kg  |

Height includes adjustable bin legs 6.00" to 7.00", (15.24 to 17.78 cm) set at 6.00" (15.24 cm).

Accessories

K00472 30" D Style Bin Adapter

Air Flow Overhead View



| Air-Cooled Ice Machine | Model    | Ice Shape | Ice Production 24 Hours                   |   | Power kWh/100 lbs @ 90°Air/70°F | Potable Water Usage (100 lbs./45.4 kgs of Ice) |
|------------------------|----------|-----------|---|---|---------------------------------|--|
|                        |          |           | 70° Air/50°F Water<br>21° Air/10° C Water | 90° Air/70°F Water<br>32° Air/21° C Water |                                 |  |
|                        | RNP0320A | Nugget    | 300 lbs<br>136 kg                         | 259 lbs<br>117 kg                         | 6.04                            | 12 gal<br>45.4 L                               |

Welbilt reserves the right to make changes to the design or specifications without prior notice.