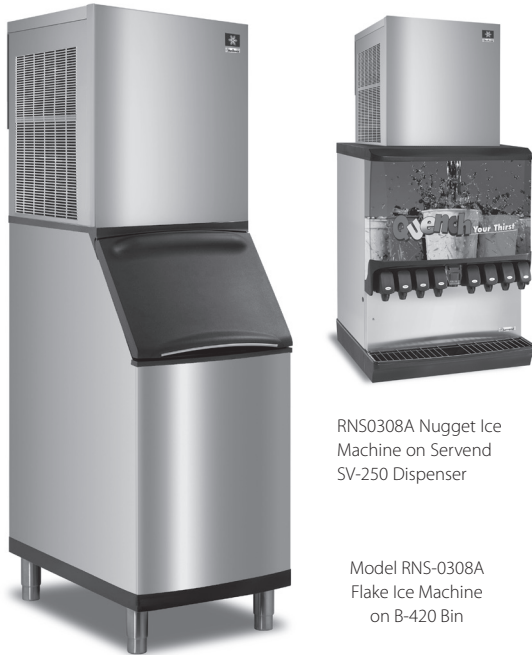




# RNS-0308 Nugget Ice Machine

Model

RNS-0308A



RNS0308A Nugget Ice Machine on Servend SV-250 Dispenser

Model RNS-0308A Flake Ice Machine on B-420 Bin

## Features

- The new bite-sized nugget boasts 90% ice content with only 10% water offering one of the best nugget ratios for maximum cooling and minimal drink dilution.
- Up to 306 lbs. (139 kgs) daily nugget ice production including ice and water content. True Ice production calculates just the ice produced helping end users size their machine and plan for their needs. Up to 275 lbs. (125 kgs) of True Ice daily production. \*
- Standard measurements for perfect pairing with 22" ice bins. No adapter needed.
- Any Manitowoc modular nugget ice machines can be paired with a Servend beverage dispenser for an unbeatable soft-drink experience.
- High load capacity bearings for enhanced reliability.
- Heavy duty stainless steel cabinet resists corrosion.

COMMERCIAL WARRANTY		
ICE MAKER	COMPRESSOR	
<b>3</b>	<b>2</b>	<b>5</b>
YEAR PARTS	YEAR LABOR	YEAR PARTS 2 YEAR LABOR

## Specifications

**Condenser Heat of Rejection (BTU per hour):**  
5,000 (average)

**Compressor:**  
Nominal rating: 1/2 HP

**Refrigerant:**  
R-404A

### Operating Limits:

- Ambient Temperature Range: 50°-110°F (10°-43°C)
- Water Temperature Range: 37°-90°F (3°-32°C)
- Water Pressure Ice Maker Water In:  
Min. 14 psi (96.5 kPa)  
Max. 80 psi (551.1 kPa)

## Ice Machine Electric

115/60/1 standard. (230/50/1 also available.)

**Minimum circuit ampacity:**  
12.8 amps.

**Maximum fuse size:**  
20 amps.

HACR-type circuit breakers can be used in place of fuses.

## Ice Shape

Nugget ice consists of small pieces ranging from 3/8" to 1/2" in width and length on average. Offers a 90% ice to water ratio with a softer, chewable texture while still providing maximum cooling effect and great dispensibility.



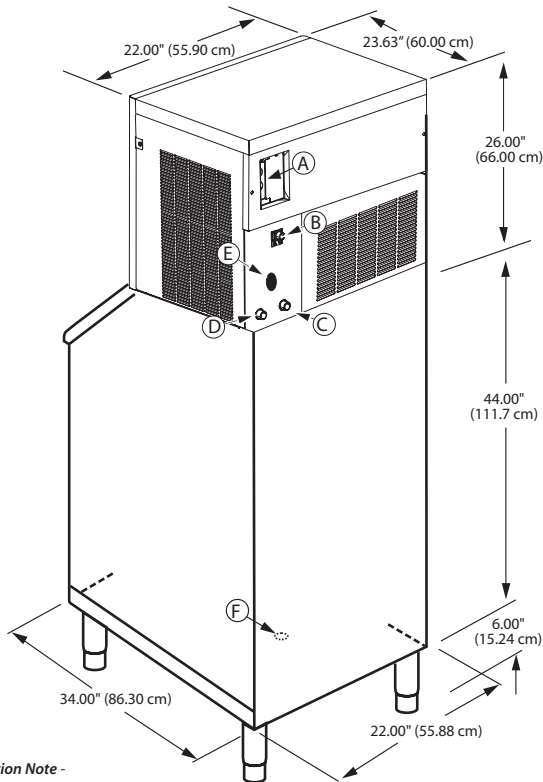
Ice shown actual size





# RNS-0308 Nugget Ice Machine

## RNS-0308 on B-420 Storage Bin



**Installation Note -**  
Minimum installation clearance:  
Top/sides: 8" (20.32 cm),  
Back: 5" (12.70 cm).

**Dispenser Note -**  
Verify with the dispenser manufacturer  
that the correct agitator and deflector  
kit for nugget ice dispensing is included  
with your dispenser purchase. Use 9"  
Discharge Tube for dispenser applications  
(ships standard with the ice machine).

- (A) Electrical Entrance (2) Options
- (B) 3/8" F.P.T. Condenser Inlet (water-cooled only)
- (C) 1/2" M.P.T. Condenser Drain (water-cooled only)
- (D) 1/2" M.P.T. Ice Making Water Drain
- (E) 3/8" F.P.T. Ice Making Water Inlet
- (F) 3/4" Bin Drain

## Space-Saving Designs



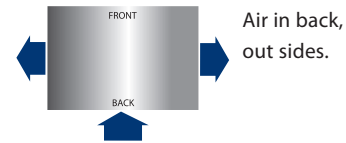
RNS-0308 on B-420	
Height	76.00" 193.00 cm
Width	22.00" 55.90 cm
Depth	34.00" 86.36 cm
Bin Storage	310 lbs 140.7 kg

Height includes adjustable bin legs  
6.00" to 7.00", (15.24 to 17.78 cm)  
set at 6.00" (15.24 cm).

## Accessories

K-00365 30" B Style Bin Adapter

## Air Flow Overhead View



Air-cooled Ice Machine	Model	Ice Shape	Ice Production 24 Hours		Power kWh/100 lbs @ 90° Air/70°F	Potable Water Usage (100 lbs./45.4 kgs of Ice)
			70° Air/50°F Water 21° Air/10° C Water	90° Air/70°F Water 32° Air/21° C Water		
			Standard	Standard		
RNS-0308*	Nugget		315 lbs	251 lbs	8.20	12 gal
			143 kg	114 kg		45.4 L