

Instruction Sheet

Subject: K00453 - Ice Machine Stand

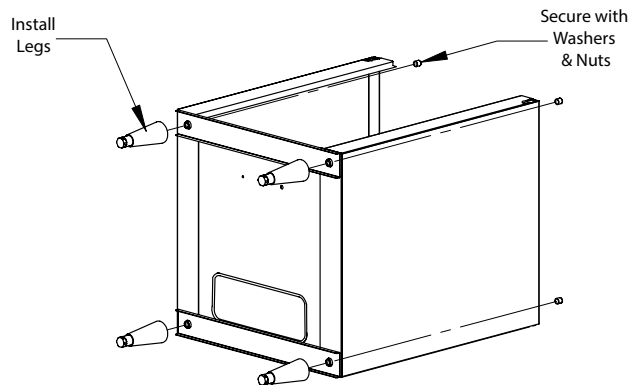
RNS12 / RNS20

Warning

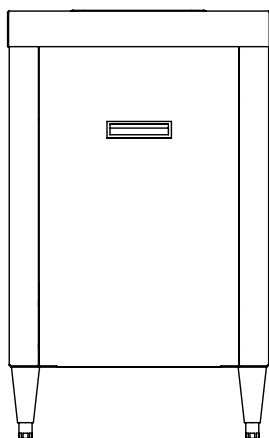
The ice machine must be secured to the stand top cover with the supplied bolts (4) and washers (4).

Step 1 Remove the front and back panels.

Step 2 Screw legs into the base (through support angles and side panels).



Step 3 Move into position and level front to back, side to side.



Step 4 Place ice machine on stand.

Warning

The total amount of weight placed on the stand must not exceed 220 lbs (100 kg). Do not use the stand for storage.

To avoid instability the stand must be installed in an area capable of supporting the weight of the stand, ice machine and a full bin of ice.

Step 5 Secure the ice machine to the stand with the provided bolts and washers (access through front to align holes). If legs have been installed on the ice machine, they must be removed prior to placing the ice machine on the stand.

Step 6 Water, drain and electrical connections can be made out the back or through the bottom of the ice machine. Refer to the ice machine manual for further instruction.

Step 7 Reinstall the removable front panel and optional back panel.