

## Rapid Steamer | RS



Build a bigger, more complete menu with just a single piece of equipment—the Rapid Steamer by Antunes. This unit converts plain tap water into dry steam so foods keep their original textures, colors, flavors, and nutrients. The end result: food that looks fresher and tastes better, from vegetables and seafood to pasta, proteins, and more.

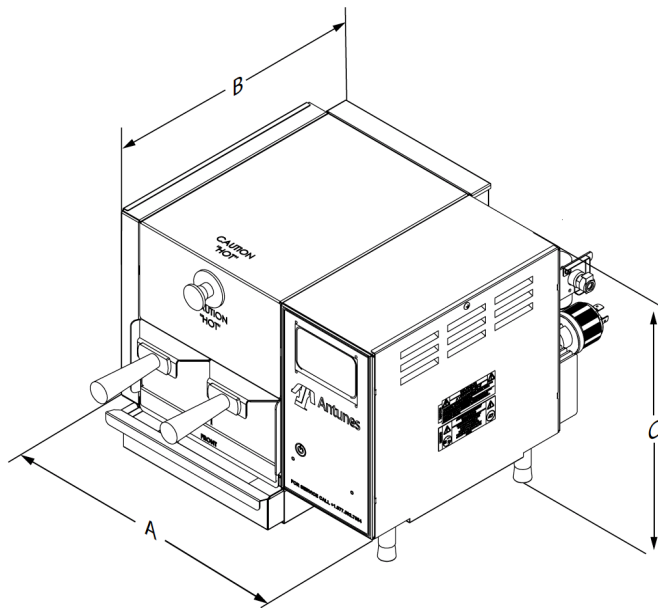
The Rapid Steamer's consistent steaming process removes the guesswork and produces a uniform finish from one operator to the next. Intelligent programming automatically adjusts steam introduced to the chamber for ideal steaming in every cycle.

The Rapid Steamer features a touchscreen interface for quickly preparing items. With an instant steaming button as well as preprogrammed favorites, this easy-to-use unit can handle a variety of different menu items without causing any delays in service. The included USB connection allows operations to easily load new recipes to handle new and expanding menus.

### FEATURES

- Intelligent programming automatically optimizes steaming performance, needing only cook time to be set.
- Touchscreen interface allows for quickly preparing a variety of menu items as well as programming new recipes.
- Two 20-ounce compartments allow operators to prepare individual portions of made-to-order menu items at the same time.
- USB connection to easily upload recipes for new menu items.
- Instantly turns plain tap water into dry steam.
- Prepare a variety of different menu items with a consistent finish each and every time.
- Stainless steel construction.
- Solid state controls.
- Includes direct water hook-up kit (required).

# Rapid Steamer | RS



## Electrical Ratings and Plug Configurations

Model No.	Volts	Watts	Amps	Hertz	Plug Description
RS-1000 9100650	208	5000	24	50/60	NEMA L6-30P
RS-1000 9100651	200- 240	5000	30	50/60	IEC-309

Model & Mfg. No.	Width (A)	Depth (B)	Height (C)
------------------	-----------	-----------	------------

RS-1000 9100650	17.39" (441.7 mm)	16.86" (428.2 mm)	12.79" (324.9 mm)
RS-1000 9100651	17.39" (441.7 mm)	16.86" (428.2 mm)	12.79" (324.9 mm)

P/N 1020485 8/18



Antunes delivers a complete range of countertop cooking equipment and water filtration solutions to foodservice operations around the world. Learn more about Antunes and its products at [www.antunes.com](http://www.antunes.com).

**Corporate Headquarters**  
 Carol Stream, Illinois  
 Phone: (630) 784-1000  
 Toll Free: (800) 253-2991  
 Fax: (630) 784-1650

**China Facility**  
 Suzhou, China  
 Phone: 86-512-6841-3637  
 Fax: 86-512-6841-3907