

THE S SERIES



START
HERE.

The **S200** and **S300** machines are built ready to serve with two volumetric programs per group head in a low profile platform. The steam valves use ambidextrous actuators for both right and left-handed baristas.

Arcade-inspired group purge buttons and an auto backflush program can increase any barista's efficiency and consistency.

All key internal components are proven Synesso standard as found in our MVP and MVP Hydra machines including group heads with no wear parts, individual brew boilers, digital shot timers, programmable temperature per group head, and cool touch steam wands.

NOW WITH A **2 YEAR+** PARTS WARRANTY



THE SYNESSO STANDARD

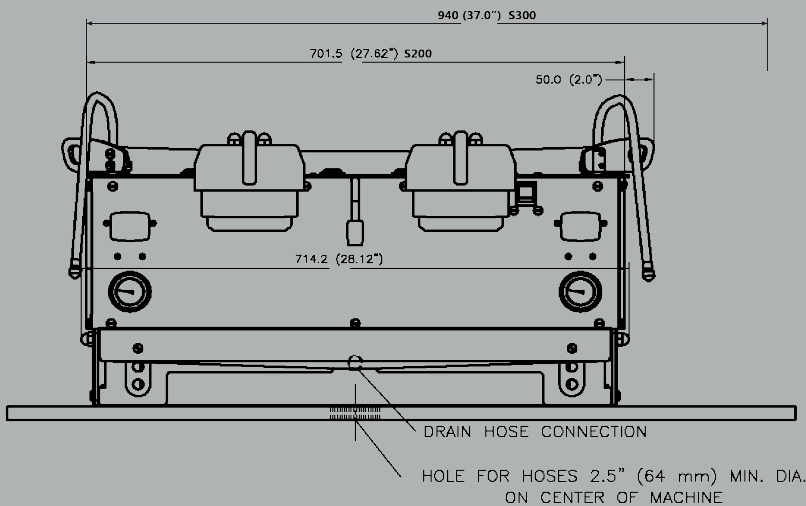


S200 2 Group

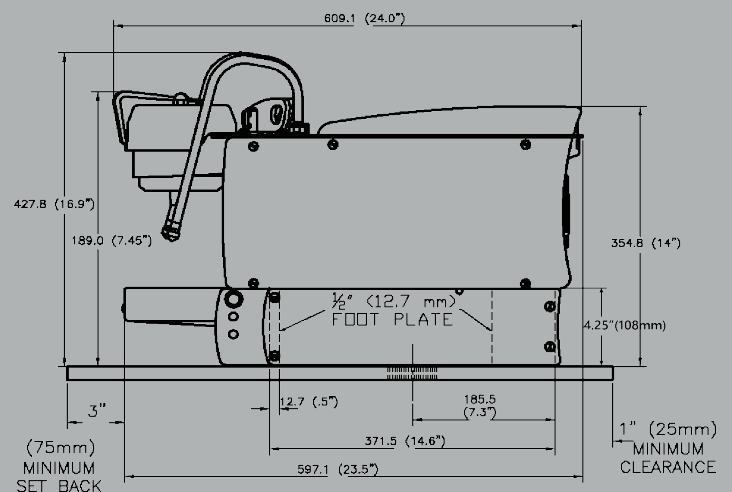
DIMENSIONS: 16.9"(H) 27.6"(W) 24"(D)
 WEIGHT: 152 lbs / 69 kg
 ELECTRICAL: Volts: 220 / Amps: 28
 PLUMBING: Line pressure of 50psi (minimum)
 FITTING: 3/8" compression w/ shut off
 DRAINAGE: Within 4 feet of machine

S300 3 Group

DIMENSIONS: 16.9"(H) 37" (W) 24"(D)
 WEIGHT: 225 lbs / 102 kg
 ELECTRICAL: Volts: 220 / Amps: 36
 PLUMBING: Line pressure of 50psi (minimum)
 FITTING: 3/8" compression w/ shut off
 DRAINAGE: Within 4 feet of machine



FRONT VIEW



RIGHT HAND END VIEW