

## 34E Series – Endless Design Double Duty – Fish and Poultry

• PRODUCT SPECIFICATIONS SHEETS



- Cases are designed to operate at 75 degrees Fahrenheit and 55% relative humidity

Self-Contained	SC-CFS34E-4	SC-CFS34E-6	SC-CFS34E-8	SC-CFS34E-10	SC-CFS34E-12
Remote	R-CFS34E-4	R-CFS34E-6	R-CFS34E-8	R-CFS34E-10	R-CFS34E-12
Length with (2) ends	52-1/2"	76-1/2"	100-1/2"	124-1/2"	148-1/2"
Length without ends	48"	72"	96"	120"	144"
Height with ends	53-1/2"	53-1/2"	53-1/2"	53-1/2"	53-1/2"
Height without ends	53"	53"	53"	53"	53"
Depth with ends	34-1/2"	34-1/2"	34-1/2"	34-1/2"	34-1/2"
Depth without ends	34"	34"	34"	34"	34"
Depth with bottom door	37-1/2"	N/A	N/A	N/A	N/A
Endless Design	YES	YES	YES	YES	YES

(Dimensions are +/-1/4")

- Specification subject to change without notice

## 34E Series – Endless Design Double Duty – Fish and Poultry

### Standard Specifications and Optional Features

<p><b>CONSTRUCTION</b>          UL Classified to ANSI/NSF 7          Foamed in place CFC free foam          Triple pane insulated front glass-28"H          Heavy gauge steel super structure          Bottom storage          Endless design allows for continuous line up          Drain is included for cleaning</p>	<p><b>FINISHES</b>          Satin finish extrusion on doors and door tracks          Designer white exterior front and ends          Stainless steel mirror trim          Stainless steel heavy gauge top - 19-1/2" W          Designer white exterior rear</p>
<p><b>INTERIOR</b>          Designer white interior ends          White aluminum floor (<i>bottom storage area</i>)          Air insulated baffle (<i>prevents moisture from dripping into display area</i>)          Stainless steel individual ice pans</p>	<p><b>REFRIGERATION</b>          Copevap system (<i>eliminates need for condensate pan</i>)          R134a expansion valve system          One Gravity coil located at inside top of unit          Self contained system          Automatic defrost controlled by time clock-(<i>self contained units only</i>)          Pressure control maintains constant temperatures          Remotes available</p>
<p><b>EXTERIOR</b>          Double pane rear removable doors          Newly designed rear compression door jamb          Removable front grille allows for cleaning          Removable rear grille for easy servicing          2-1/4" removable end panels</p>	<p><b>LIGHTING</b>          2 Rows of T12 lighting at top of unit</p>
<p><b>ELECTRICAL REQUIREMENTS</b>          115V/60Hz/1Ph          Unit must be hard wired          UL/CUL listed          115V-12AMP general purpose receptacle (<i>wired separately</i>)</p>	<p><b><i>Important Note: All refrigerated cases are designed to operate in an environment of 75 degrees and 55% relative humidity.</i></b></p> <p><b><i>Important Note: Product must be cooled before being displayed within the case.</i></b></p> <p><b><i>ICE REQUIRED (32lbs per foot)</i></b></p> <p><b><i>NO COIL IN BOTTOM STORAGE AREA</i></b></p>

#### OPTIONAL FEATURES

<p>Scale Stand          Paper cutter          Painted, laminate or stainless steel          Mirrored doors          Stainless steel mezzanine shelf          Drop work shelf</p>	<p>Front bumpers 1" or 3"          Door lock          Digital thermometer          Pass thru front doors 4', 6' &amp; 8' only          Bottom coil</p>
--	--



## 34E Series – Endless Design Double Duty – Fish and Poultry

### Technical Data

Model	Self contained	SC-CFS34E-4	SC-CFS34E-6	SC-CFS34E-8	SC-CFS34E-10	SC-CFS34E-12
	Remote	R-CFS34E-4	R-CFS34E-6	R-CFS34E-8	R-CFS34E-10	R-CFS34E-12
Length with (2) ends		52-1/2"	76-1/2"	100-1/2"	124-1/2"	148-1/2"
Length without ends		48"	72"	96"	120"	144"
Height with ends		53-1/2"	53-1/2"	53-1/2"	53-1/2"	53-1/2"
Height without ends		53"	53"	53"	53"	53"
Depth with ends		34-1/2"	34-1/2"	34-1/2"	34-1/2"	34-1/2"
Depth without ends		34"	34"	34"	34"	34"
Endless design (Dimensions are +/- 1/4")		YES	YES	YES	YES	YES
Operating temperature	Self contained	38°F to 40°F	38°F to 40°F	38°F to 40°F	38°F to 40°F	38°F to 40°F
Refrigerant (expansion valve)	Self contained	R134a	R134a	R134a	R134a	R134a
Compressor size HP		1/4	1/4	1/3	1/3	1/2
Pressure control settings @ 75°F, 55%RH	CUT IN CUT OUT	30 15	30 15	30 15	30 15	30 15
Defrost per day (24 hours)	Air Defrost	1 per day	1 per day	1 per day	1 per day	1 per day
BTU's at +20°F Evap. Temp.	Remote	820	1230	1640	2050	2460
Voltage		115V	115V	115V	115v	115V
Amperage	Self contained	6.0A	6.4A	9.1A	9.9A	13.8A
Amperage, lights only	Remote	0.8A	1.3A	1.6A	2.4A	2.4A
Cord and plug		No	No	No	No	No
Exterior color	Self contained	White	White	White	White	White
Interior color		Stainless	Stainless	Stainless	Stainless	Stainless
Inside end panels		White	White	White	White	White
Floors		White	White	White	White	Anodized
Drain required		Copevap	Copevap	Copevap	Copevap	Copevap
# of top doors		2	2	4	4	4
Door size		20-1/2"x23-1/2"	31"x23-1/2"	20-1/2"x23-1/2"	25-3/4"x23-1/2"	31"x23-1/2"
# of coils		1	1	1	1	1
Bottom storage		Yes	Yes	Yes	Yes	Yes
Front glass		28"x46-11/16"	28"x70-11/16"	28"x94-11/16"	28"x118-11/16"	28"x142-11/16"
Cubic capacity		30	45	60	75	90
Mezzanine- Shelf		Optional	Optional	Optional	Optional	Optional
# of ice pans		2	3	4	5	6

### SHIPPING INFORMATION

Height		58"	58"	58"	58"	58"
Width		44"	44"	44"	44"	44"
Depth		61"	87"	109"	135"	157"
Gross weight	Self contained	530#	660#	880#	1150#	1411#
	Remote	497#	610#	820#	1089#	1359#
Cubic feet		89ft <sup>3</sup>	128ft <sup>3</sup>	164ft <sup>3</sup>	199ft <sup>3</sup>	231ft <sup>3</sup>

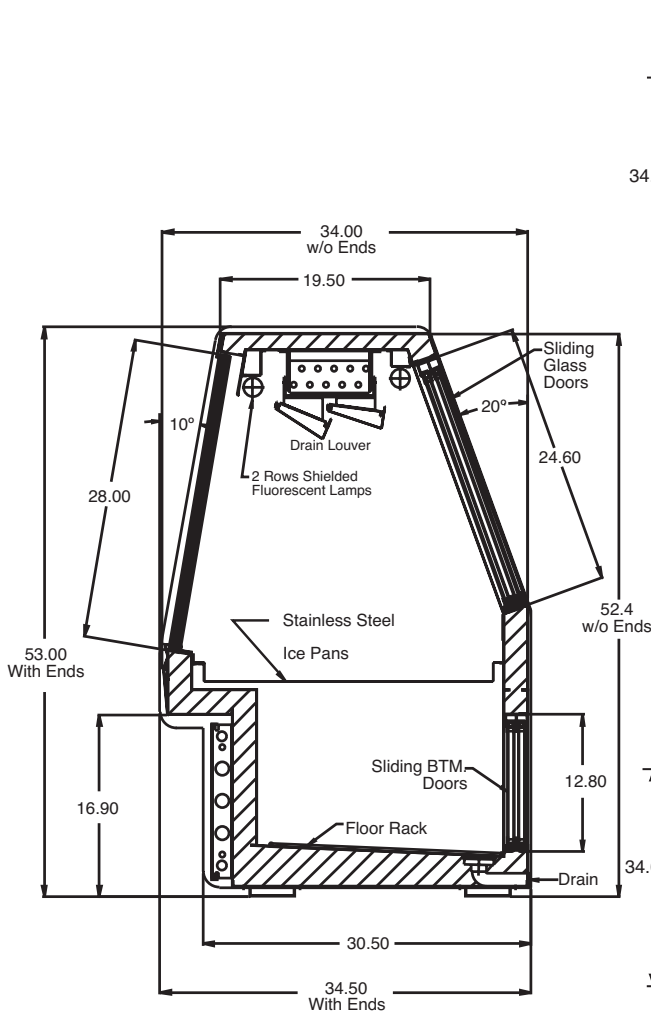
- Cases are designed to operate at 75 degrees Fahrenheit and 55% relative humidity
- Cases are equipped with drains; check your local building codes for connection requirements.
- Specification subject to change without notice

**A Division of HMC Enterprises LLC • 2501 Grant Avenue • Philadelphia, PA 19114 USA**

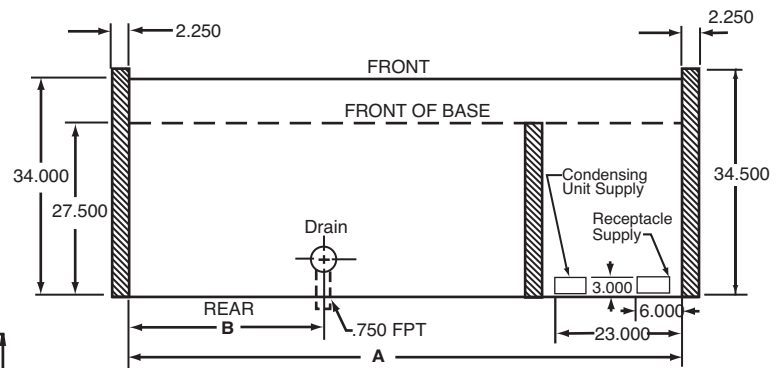
(215) 464-6800 • 1-800-344-8222 • Fax (215) 969-4890 • E-Mail: sales@howardmccray.com • www.howardmccray.com

## 34E Series – Endless Design Double Duty – Fish and Poultry

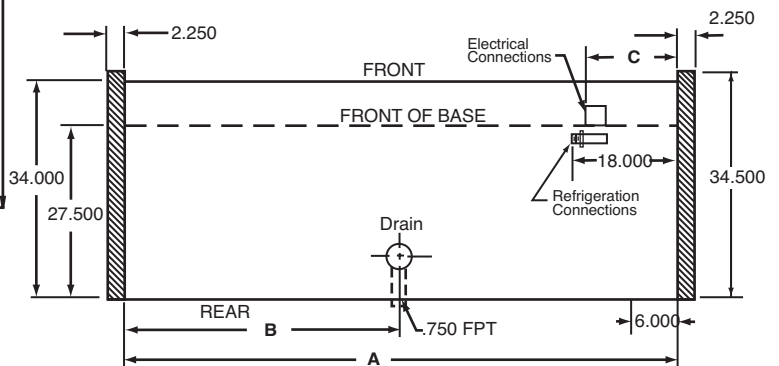
### Technical Data • Side View • Plan View



Cross Section



MODEL NO.	A	B
S/C-34E-4	48"	12"
S/C-34E-6	72"	24"
S/C-34E-8	96"	36"
S/C-34E-10	120"	48"
S/C-34E-12	144"	60"



MODEL NO.	A	B	C
R-34E-4	48"	24"	4"
R-34E-6	72"	36"	4"
R-34E-8	96"	48"	52"
R-34E-10	120"	60"	52"
R-34E-12	144"	72"	76"

Plan Views