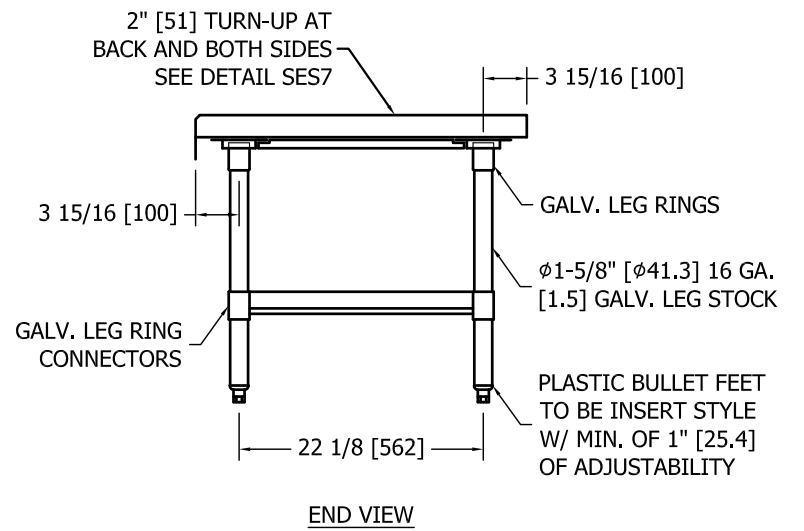
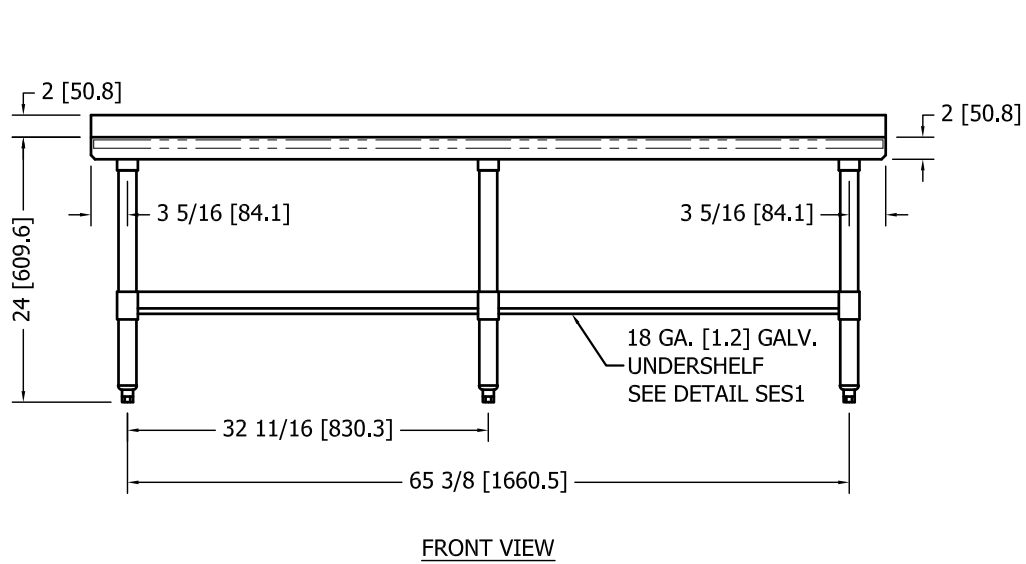
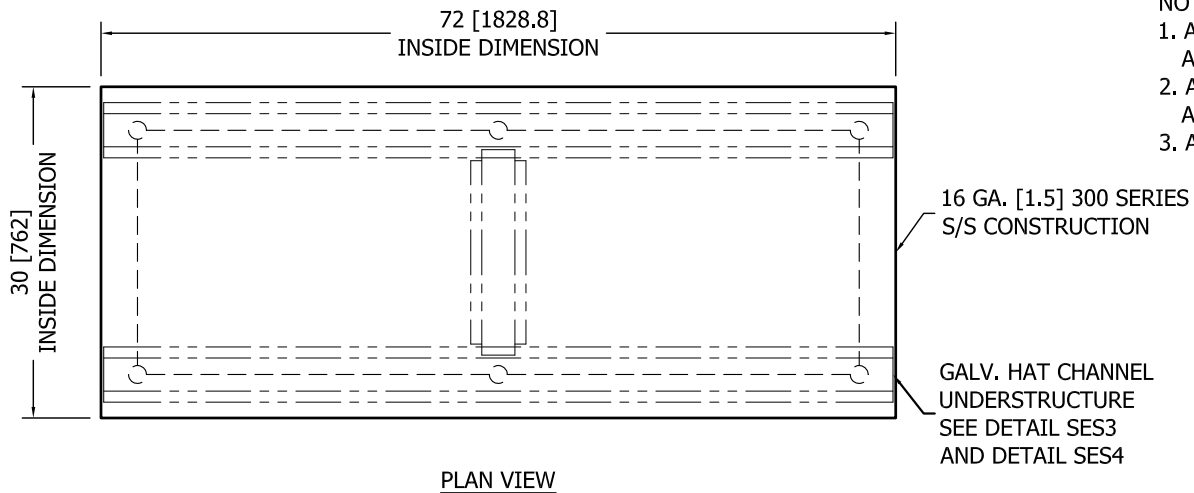


- NOTE:
1. ALL VISIBLE WELDS TO BE GROUND SMOOTH AND POLISHED TO A MATCHING FINISH.
 2. ALL NON-VISIBLE WELDS TO BE GROUND SMOOTH AND PAINTED WITH A F.I. APPROVED PAINT
 3. ALL EDGES TO BE SMOOTH AND FREE FROM BURRS



ELKAY

Phone: 1-800-726-0553
Fax: 509-535-1493

SES30S72-STGX

DRAWN BY: TCP

DATE: 03/15/12

REVISION: _____ DATE - BY: __/__/__

P:\111 CUT SHEETS\EQUIPMENT STANDS\SES-S-STG\SES30S72-STG.DWG

PAGE: 1 OF 1