



BEVERAGE-AIR

Project: _____	AIA#
Item: _____	
Location: _____	SIS#
Approved: _____	

SF2HC BOTTOM MOUNT REACH-IN: SLATE SERIES

SLATE REACH-IN FREEZER

SF2HC Solid Door Bottom Mount
Hydrocarbon Series

**MODEL:
SF2HC-1S**



**2 Year Parts/Labor Warranty
Additional 5 Year Compressor Warranty**

CABINET CONSTRUCTION

- Stainless steel door and grille with modern slate finish sides
- Interior features easy to clean white coated steel walls with slate finish interior door
- Electronic temperature control
- LED lighting standard
- Six (6) adjustable epoxy shelves
- Door locks standard
- 6" Casters standard

OPTIONS & ACCESSORIES

- Additional shelves

REFRIGERATION SYSTEM

- Uses environmentally friendly, energy efficient R290 refrigerant, and meets all regulatory requirements for CARB, SNAP, DOE & more
- Freezer capable of maintaining product temperature down to 0°F
- Automatic defrost cycle



Please verify qualifying units by visiting:
www.energystar.gov/cfs

3779 Champion Blvd., Winston-Salem, NC 27105
1-888-845-9800 Fax: 1-336-245-6453
Beverage-Air.com Sales@bevair.com

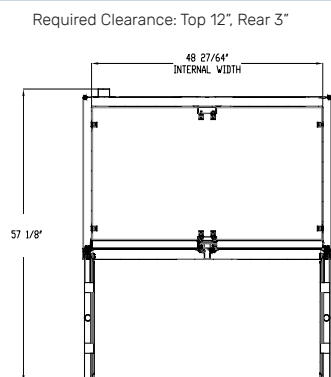


BEVERAGE-AIR

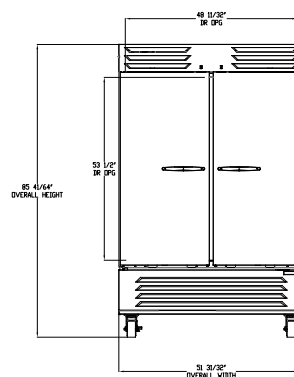
MODEL	SF2HC-1S
EXTERNAL DIMENSIONAL DATA	
Width Overall	51 3/32"
Depth Overall	34 3/32"
Height Overall	85 1/64"
Number of Doors	2
Depth with Door Open 90°	57 1/8"
Door Opening (in)	26 1/32" x 53 1/2"
INTERNAL DIMENSIONAL DATA	
NET Capacity (cubic ft.)	43
Internal Width Overall (in)	48 27/64"
Internal Depth Overall (in)	26 9/64"
Internal Height Overall (in)	61 21/32"
Number of Shelves	6
ELECTRICAL DATA	
Full Load Amperes	6.0
REFRIGERATION DATA	
Horsepower	1/2
Capacity (BTU/Hr)	2000
Heat Rejection (BTU/Hr)	3000
Charge (lbs/grams)	0.330/150
SHIPPING DATA	
Gross Weight - Crated	466 lbs
Height - Crated	84"
Width - Crated	54"
Depth - Crated	36"

Bottom Mount Reach-In Solid Door Freezer Model: SF2HC-1S

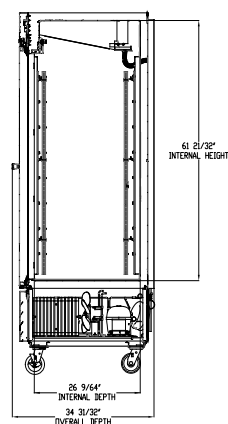
Model Views



PLAN VIEW



ELEVATION VIEW



SIDE VIEW

ELECTRICAL CONNECTION



115/60/1
NEMA 5-15P

Unit pre-wired at factory and include 7' long cord and plug set.



an Ali Group Company



The Spirit of Excellence

3779 Champion Blvd., Winston-Salem, NC 27105
1-888-845-9800 Fax: 1-336-245-6453
Beverage-Air.com Sales@bevair.com